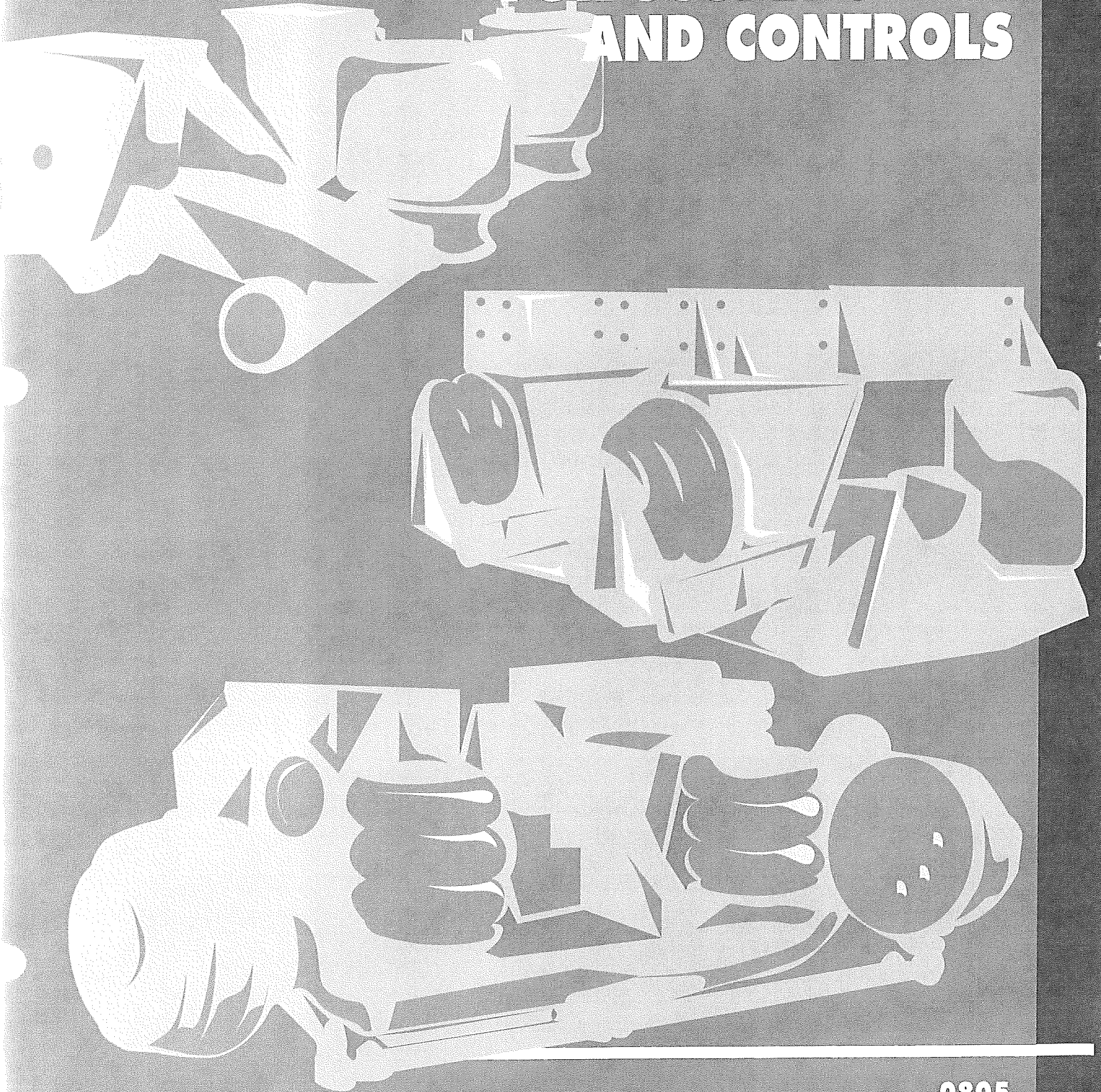


RIDEWELL
SUSPENSIONS

**SERVICE PARTS
FOR SUSPENSIONS
AND CONTROLS**





RIDEWELL SUSPENSIONS

Ridewell Corporation has served the truck, trailer, bus, motorcoach, and recreational vehicle industries in North American and international markets since 1967. The engineering-driven company has been built on its ability to design and manufacture a wide range of innovative air-ride, rubber-ride, steel spring, and mechanical suspensions and controls for niche markets.

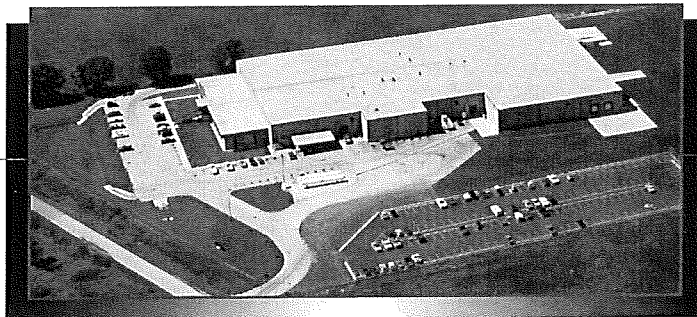
Ridewell holds over thirty active patents for exclusive features that provide for low maintenance and superior ride quality. An outstanding feature for air suspensions is their double-bonded, clamped-in monopivot bushing that forms the basis for many easily serviced, single pivot designs. The bushing is replaceable with simple hand tools, no hydraulics required. For alignment, Ridewell's Speed Set™ feature permits 1/2-1" manual adjustment with a pivot bolt torque requirement of only 450 ft. lbs. Other patented features, such as their contoured weld-on axle seat, reduce weight and maintenance by eliminating U-bolts and decreasing axle stress concentrations. For rubber-ride models, Ridewell's proprietary geometry offers independent axle movement on tandem drive applications.

The design process at Ridewell utilizes CAD/CAE/CAM engineering and finite element analysis. Prototypes undergo accelerated fatigue testing on the company's state of the art 4-axis test rig. Combined with field testing, the tests allow Ridewell to put a product on the road with confidence that it meets performance and durability requirements. A cellular lean manufacturing environment that includes CNC machining centers and laser cutters is housed in the company's 116,000 sq. ft. facility. Fine welding, a hallmark of Ridewell products, is robotically and conventionally performed by experienced employees. Throughout the production process, internationally recognized quality control standards are applied.

Ridewell Suspensions are installed by major O.E.M.'s and a network of U.S. and international dealers who also provide service parts. For information, specs, or prices, contact Ridewell Corporation at 800-641-4122 or P. O. Box 4586, Springfield, MO 65808. The product line and aftermarket dealer listing may be viewed at www.ridewellcorp.com.

PRODUCT TRADE NAMES

**Mono-Lift 225 • Dynalastic Tandem Drive • Self-Steering Light-Trac 230
Bantamweight 245 Series • Self-Steering Forward and Reverse Sure-Trac
Ridelite® • Monopivot 240 Series • Featheride™ Light Duty • Dynaflex Single
Point Wide Base227 • Independent Tag Axle • IFS Sub-Frame • 246 Drive/Tag Combo**



Ridewell's centrally located manufacturing plant is located 1.5 mi. north of intersection I-44 and 65N, Springfield, MO

GENERAL INFORMATION

Ridewell Corporation has served the truck, trailer, bus, motorcoach and recreational vehicle industries since 1967. The engineering-driven company, built on its ability to innovatively design and manufacture a wide range of air-ride, rubber-ride, steel spring and mechanical suspensions and corresponding controls, is known for its fine craftsmanship and high quality products.

This catalog is intended to be a convenient source book for the replacement and auxiliary parts of our most frequently ordered suspensions. It does not cover every suspension design and air control manufactured by Ridewell Corporation.

Please contact our Sales Department at 800-641-4122 should you need specific literature or drawings on these and other Ridewell products.

TERMS OF SALE

1. Prices shown are list prices and supercede all previous price lists. Applicable discount will determine your cost. All prices are FOB Springfield, MO USA, freight collect.
2. Prices and terms of sale are subject to change without notification.
3. All prices are subject to Sales/Use Tax where applicable unless exemption certificate is on file with Ridewell Corporation.
4. Payment terms: Parts orders are shipped COD unless other terms are approved in advance by Ridewell's Credit Department. A credit application can be obtained by contacting Ridewell's Sales Department.
5. Claims and risk of loss pass to buyer when goods are delivered to carrier. Inspect all shipments for shortage, damage or loss at time of receipt. Claims should be filed by the consignee against the carrier.
6. Discrepancies in shipment must be reported to Ridewell's Sales Department within 15 days of receipt to assure prompt corrective action.
7. Credit returns are subject to a 20% minimum re-stocking charge. Returned goods must bear an authorized RMA number on the package. This may be obtained by calling the Sales Department at 800-641-4122. Returned goods will not be accepted without this number.
8. Warranty and Return Material Authorization Procedure: See inside back cover.

Shipping address: Ridewell Corporation, 3715 E. Farm Rd. 94, Springfield, MO 65803

Mailing address: Ridewell Corporation, P.O. Box 4586, Springfield, MO 65808

Phone: 800-641-4122, (417) 833-4565 **Fax:** (417) 833-4560

www.ridewell corp.com

TABLE OF CONTENTS

LIFT AXLE SUSPENSIONS

RCA-225 Mono-Lift Non-Steerable Auxiliary Axle.....	5
RLT-230 Self-Steering LIGHT-TRAC Integrated System.....	6, 7
RLT-232 Self-Steering FLEX-TRAC Self-Steering.....	8, 9
RCA-235 Compact Air-Ride/Air-Lift.....	10, 11
RSS-236 Self-Steering SURE-TRAC.....	12
RSS-236R SURE-TRAC Reversing Cylinder.....	13
RUL-245 Light Duty BANTAMWEIGHT Series.....	14, 15
Lift Axle Air Control Kit.....	16
Lift Axle Air Control Kit with Reverse.....	17

TRAILER SUSPENSIONS

RAR-221S with Oscillating Axle Seat.....	18
RAR-240 Monopivot Overslung, 25,000 lb. cap., Mfg After 10-1-95.....	19
RAR-240 Monopivot Underslung, 25,000 lb. cap., Mfg After 10-1-95.....	20
RAR-240 Monopivot Overslung, 30,000 lb. cap., Mfg After 10-1-95.....	21
RAR-240 Monopivot Underslung, 30,000 lb. cap. , Mfg After 10-1-95.....	22
RAR-240 Monopivot Yoke Mount, 25,000 and 30,000 lb. cap.	23
RAR-243 Monopivot Underslung.....	24
Ridelite®	25
Featheride Light Duty.....	26

HEIGHT CONTROL VALVE

Assembly.....	27
Standard Installation.....	28

BUS, MOTORCOACH AND R.V. SUSPENSIONS

RAS-227 and RAD-227.....	29
--------------------------	----

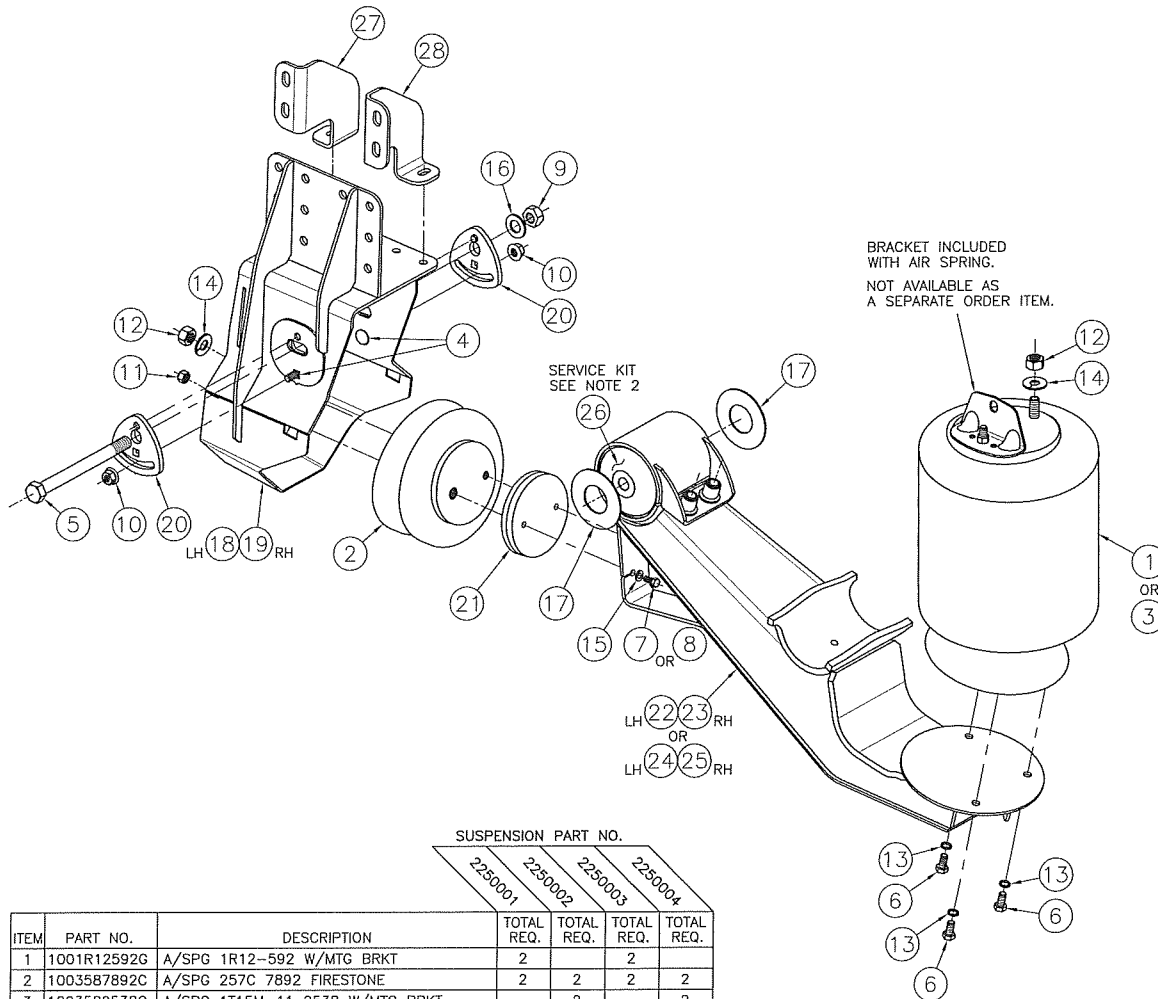
DRIVE AXLE RUBBER-RIDE SUSPENSIONS

RD-202S DYNALASTIC Straddle Mount	30
RD-202B/C DYNALASTIC Cantilever Mount	31

RECOMMENDED TORQUES FOR RIDEWELL SUSPENSIONS

BOLT SIZE	LUBRICATION THREADS	
1 1/2"		1,100 FT. LB. (1490 N·m)
1 1/4"		1,000 FT. LB. (1350 N·m)
1 1/8"		500 FT. LB. (680 N·m)
1"	GRADE 5	360 FT. LB. (490 N·m)
1"	GRADE 8	460 FT. LB. (625 N·m)
7/8"		350 FT. LB. (475 N·m)
7/8"	SPEED SET™	500 FT. LB. (680 N·m)
3/4"	GRADE 5	160 FT. LB. (220 N·m)
3/4"	GRADE 8	190 FT. LB. (260 N·m)
5/8"		100 FT. LB. (135 N·m)
*3/4"		50 FT. LB. (70 N·m)
*1/2"		25 FT. LB. (35 N·m)
*AIR SPRING CONNECTION ONLY		
After suspension has been in operation for approximately 6,000 miles (1,000 KLMS), all fasteners must be re-tightened to specific torque. Repeat every 50,000 miles (80,000 KLMS).		
DO NOT OVER TORQUE!		

RCA-225 Mono-Lift Non-Steerable Auxiliary Axle Suspension



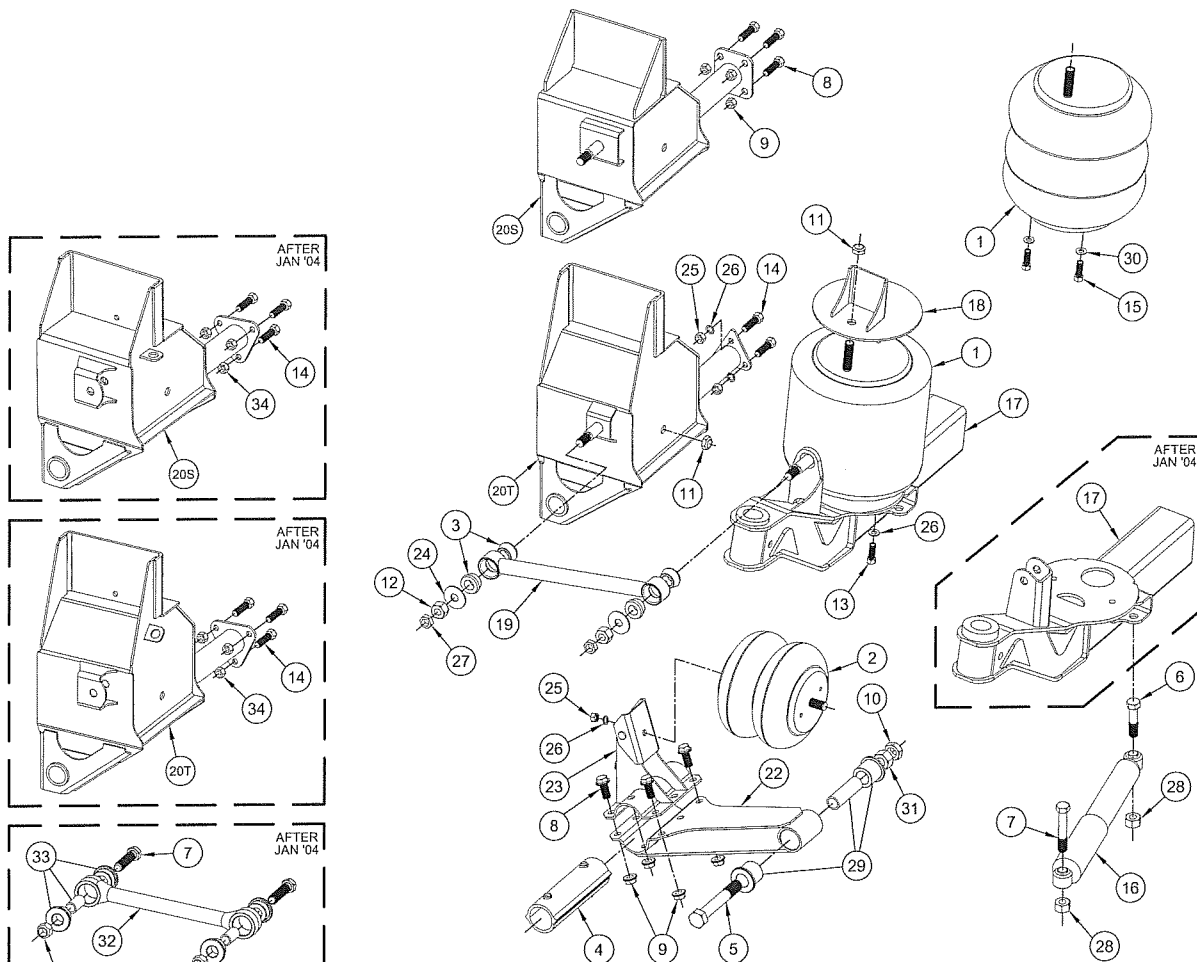
ITEM	PART NO.	DESCRIPTION	SUSPENSION PART NO.			
			2250001	2250002	2250003	2250004
1	1001R12592G	A/SPG 1R12-592 W/MTG BRKT	2		2	
2	1003587892C	A/SPG 257C 7892 FIRESTONE	2	2	2	2
3	1003589538C	A/SPG 1T15M-11 9538 W/MTG BRKT		2		2
4	1130012	BOLT CARRIAGE .50-13NC x 1.50LG	4	4	4	4
5	1140019	HHCS .875-9NC x 9.50LG GR 8 SPECIAL	2	2	2	2
6	1140554B105	HHCS .50-13NC x 1.00LG GR 5	6	6	6	6
7	1140024	HHCS .375-16NC x 1.75LG FLGD GR 8	4		4	
8	1147620B105	HHCS .375-16NC x .875LG GR 5		4		4
9	1150009	L'NUT .875-9NC GR 8 (C) T-L AUTO STY	2	2	2	2
10	1150012	L'NUT .50-13NC FLANGED GR G AUTO STY	4	4	4	4
11	1150555B112	L'NUT .50-13NC NYL INSERT GR 2	2	2	2	2
12	1150558B102	NUT .75-16NF STANDARD GR 2	4	4	4	4
13	1160556B100	L'WASHER .50 S/T MEDIUM	6	6	6	6
14	1160557B100	L'WASHER .75 S/T MEDIUM	4	4	4	4
15	1160675B100	L'WASHER .375 S/T MEDIUM	4	4	4	4
16	1160868B100	WASHER .875 A-325 FLAT ZINC PL	2	2	2	2
17	1167680B000	WASHER-UHMW 6.25 x 2.125 x .188 BLUE	4	4	4	4
18	3160024	HANGER ASS'Y - LH RUA-225	1	1	1	1
19	3160025	HANGER ASS'Y - RH RUA-225	1	1	1	1
20	5340018	ADJUSTER PLATE ASS'Y	4	4	4	4
21	5340019	LIFT SPRING SPACER PLATE ASS'Y	2		2	
22	5970194	BUSH/BEAM ASS'Y - LH	1	1		
23	5970195	BUSH/BEAM ASS'Y - RH	1	1		
24	5970196	BUSH/BEAM ASS'Y - LH			1	1
25	5970197	BUSH/BEAM ASS'Y - RH			1	1
26	6040041	BUSHING SERVICE KIT - 225	NOTE 2	NOTE 2	NOTE 2	NOTE 2
27	8001126	HANGER/FRAME MTG BRKT - LH	2	2	2	2
28	8001127	HANGER/FRAME MTG BRKT - RH	2	2	2	2

NOTES:

- ONLY LEFT-HAND SIDE OF SUSPENSION IS SHOWN. QTY IN TABLE REFLECTS TOTAL AMOUNT REQ'D PER SUSPENSION.
- BUSHING SERVICE KIT INCLUDES BUSHING AND BOLTS, NUTS AND WASHERS TO REPLACE THE FACTORY INSTALLED HUCK BOLTS. ALSO INCLUDES ITEMS 5, 9, 16, AND 17.
- ITEMS 22, 23, 24 & 25 INCLUDE BUSHING. (PRE-INSTALLED WITH HUCK BOLTS)

RLT-230 LIGHT TRAC

Self-Steering Integrated Axle, Brake and Suspension System



TORQUE NOTES:
 TORQUE .38" AIR SPRING BOLT TO 25 ft*lbs
 TORQUE .75"-16NF AIR SPRING NUT TO 50 ft*lbs
 TORQUE .63"-11NC L'NUTS TO 180 ft*lbs
 TORQUE .75" SHOCK/UPPERARM NUT TO 160 ft*lbs
 TORQUE 1" PIVOT BOLTS TO 360 ft*lbs
 TORQUE 1" JAM NUT TO 100 ft*lbs

NOTE:
 FOR SUSPENSIONS WITH THE STEER LOCK OPTION AN "S" SHOULD BE ADDED TO THE AXLE AND SUSPENSION PART NUMBER.

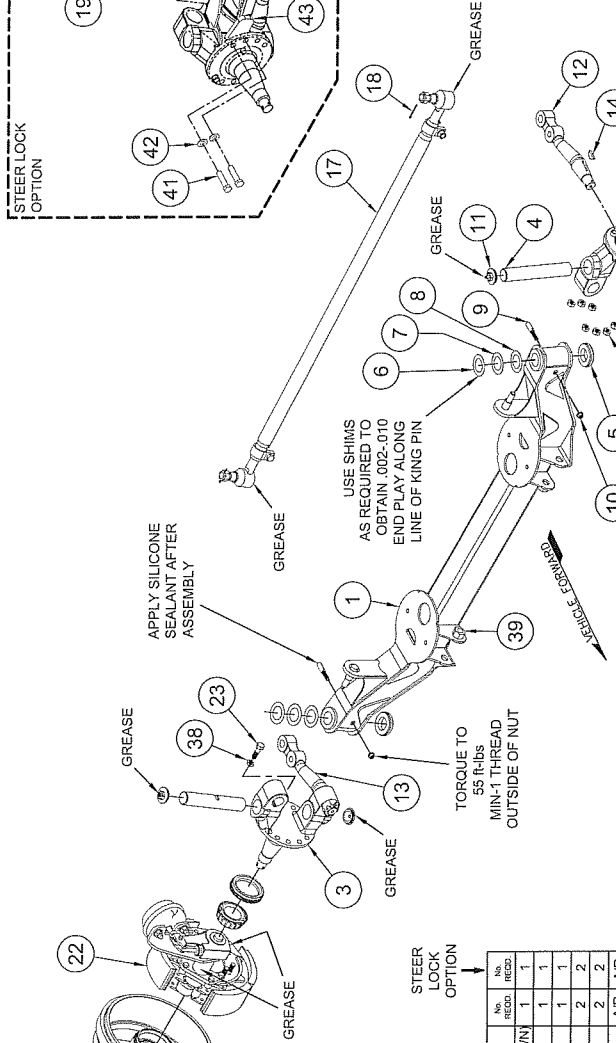
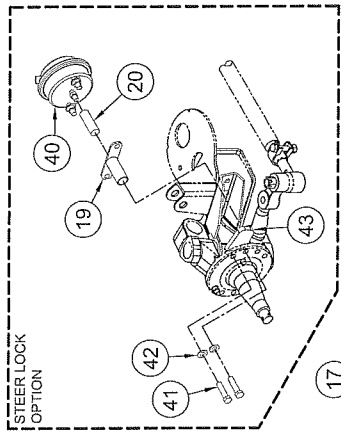
1/12/2005

ITEM No.	PART No.	PART DESCRIPTION	BEFORE JAN '04		AFTER JAN '04	
			TALL No. REQD.	SHORT No. REQD.	TALL No. REQD.	SHORT No. REQD.
1	1001R12594G	A/SPG GY#1R12-584 (TALL)	2		2	
1	1003B12336G	A/SPG 3B12 336/38C (SHORT)		2		2
2	1003586897C	A/SPG 2B9-229 / 20C #	2	2	2	2
3	1120003	BUSHING SHOCK 1.0" ID URE	8	8	0	0
4	11200005	BUSH URE 2.8 x 2.3 x 9" LG	2	2	2	2
5	1141675B105	HHCS 1"-8NC x 6.5" LG	2	2	2	2
6	1143076B105	HHCS .75"-10NC x 4.25" LG	2	2	2	2
7	1147698B105	HHCS .75"-10NC x 3.25" LG	2	2	6	6
8	1147482B108	HHCS .63"-11NC x 1.50" LG	10	14	10	10
9	1157049B108	L'NUT .63"-11NC OVAL	10	14	10	10
10	115725B002	NUT 1.0"-8NC JAM HEX	2	2	2	2
11	1150011	L'NUT .75"-16NF HEX	4	4	4	4
12	1157670B108	NUT .75"-10NC STANDARD	4	4	0	0
13	1140554B105	HHCS .50"-13NC x 1.0" LG	4	0	4	0
14	1145383B105	HHCS .50"-13NC x 1.25" LG	3	0	3	3
15	1140674B105	HHCS .38"-16NC x 1.0" LG	0	4	0	4
16	1310002	STEERING STAB WINNER SPG	2	2	2	2
17	SEE CHART	AXLE 13K FAB N/LOC S	1	1	1	1
23	5470005	CAP ASSY FOR 9" BUS	2	2	2	2
24	9000005	WASHER .781" x 2.25"	4	4	0	0
25	1150650B102	NUT .50"-13NC STD	2	2	2	2
26	1160556B100	L'WASHER .50" S/ MEDIUM	9	2	6	2
27	1150006	JAM NUT .75"-10NC	4	4	0	0
28	1150709B105	L'NUT .75"-10NC OVAL	4	4	8	8
29	1120014	BUSHING URE; WINNER SLEEVE	2	2	2	2
30	1160675B100	L'WASHER .38" S/ MED	0	4	0	4
31	1155961B002	NUT 1.0"-8NC HEX GRADE 2	2	2	0	0
32	5140008	T'ROD 15.5" LG, 2.59 OFFSET	0	0	2	2
33	1120015	BUSH URE 1.75 x 2.0 x .75	0	0	4	4
34	1150012	L'NUT .50"-13NC FLANGED	0	0	3	3

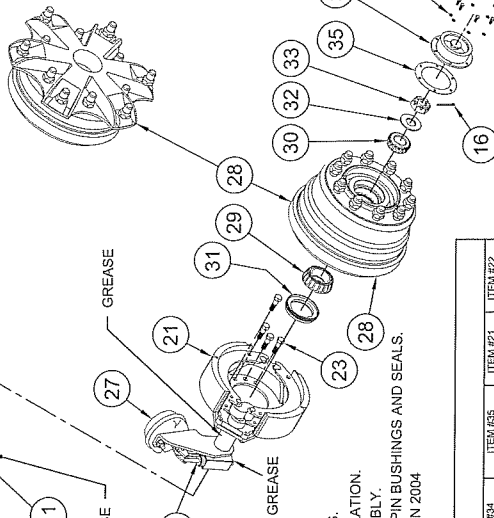
PARTS BY MODEL NUMBER

	PART NO	HUB AND DRUM	HANGER HT. ITEMS 20/21	FRAME WIDTH	ITEM 20			ITEM 18			ITEM 17		
					HGR ASSY (L/H/RH)	SPRING ASSE	AXLE	HGR ASSY (L/H/RH)	SPRING ASSE	AXLE	HGR ASSY (L/H/RH)	SPRING ASSE	AXLE
AFTER JAN '04 SHORT	2300061	HUB PILOT 19.5"	11"	34	3170070	3170071	3450089	1640144					
	2300060	HUB PILOT 19.5"	11"	35	3170074	3170075	3450090	1640144					
	2300059	AL HUB PILOT/ C'FUGE	11"	34.5	3170072	3170073	3450103	1640142					
	2300058	HUB PILOT	11"	34.5	3170072	3170073	3450103	1640140					
	2300057	AL HUB PILOT/ C'FUGE	11"	35	3170074	3170075	3450090	1640142					
	2300056	CAST SPOKE	11"	35	3170074	3170075	3450090	1640143					
	2300055	STUD PILOT	11"	35	3170074	3170075	3450090	1640143					
	2300054	HUB PILOT	11"	35	3170074	3170075	3450090	1640140					
	2300053	AL HUB PILOT/ C'FUGE	11"	34	3170070	3170071	3450089	1640142					
	2300052	CAST SPOKE	11"	34	3170070	3170071	3450089	1640143					
	2300051	STUD PILOT	11"	34	3170070	3170071	3450089	1640141					
	2300050	HUB PILOT	11"	34	3170070	3170071	3450089	1640140					
	2300048	HUB PILOT 19.5"	14"	35	3170043	3170044	3450089	1640144					
	2300044	HUB PILOT 19.5"	14"	34	3170041	3170042	3450089	1640144					
	2300043	CAST SPOKE	14"	34	3170041	3170042	3450089	1640143					
	2300042	AL HUB PILOT/ C'FUGE	14"	35	3170043	3170044	3450089	1640142					
	2300041	AL HUB PILOT/ C'FUGE	14"	34	3170041	3170042	3450089	1640142					
	2300040	STUD PILOT	14"	35	3170043	3170044	3450090	1640141					
	2300038	STUD PILOT	14"	34	3170041	3170042	3450089	1640141					
	2300038	HUB PILOT	14"	35	3170043	3170044	3450090	1640140					
	2300037	HUB PILOT	14"	34	3170041	3170042	3450089	1640140					
	2300036	AL HUB PILOT/ C'FUGE	11"	34.5	3170035	3170036	3450054	1640009					
	2300033	HUB PILOT	11"	34.5	3170035	3170036	3450054	1640011					
	2300028	AL HUB PILOT/ C'FUGE	11"	35	3170031	3170032	3450033	1640009					
	2300027	CAST SPOKE	11"	35	3170031	3170032	3450033	1640007					
	2300026	STUD PILOT	11"	35	3170031	3170032	3450033	1640005					
	2300025	HUB PILOT	11"	35	3170031	3170032	3450033	1640011					
	2300024	AL HUB PILOT/ C'FUGE	11"	34	3170029	3170030	3450025	1640009					
	2300023	CAST SPOKE	11"	34	3170029	3170030	3450025	1640007					
	2300022	STUD PILOT	11"	34	3170029	3170030	3450025	1640005					
	2300021	HUB PILOT	11"	34	3170029	3170030	3450025	1640011					
	2300019	AL HUB PILOT 19.5"	14"	34	3170017	3170018	3450025	1640033					
	2300018	CAST SPOKE	14"	34	3170017	3170018	3450025	1640007					
	2300017	STUD PILOT	14"	35	3170019	3170020	3450033	1640005					
	2300016	CAST SPOKE	14"	35	3170019	3170020	3450033	1640007					
	2300015	HUB PILOT	14"	34	3170017	3170018	3450025	1640011					
	2300013	AL HUB PILOT/ C'FUGE	14"	34	3170017	3170018	3450025	1640009					
	2300010	STUD PILOT	14"	34	3170017	3170018	3450025	1640005					
	2300007	AL HUB PILOT/ C'FUGE	14"	35	3170019	3170020	3450033	1640009					
	2300006	HUB PILOT	14"	35	3170019	3170020	3450033	1640003					
	2300005	HUB PILOT	14"	34	3170017	3170018	3450025	1640003					

RLT-230 LIGHT TRAC Axle Assembly



WHEEL SHOWN TO REPRESENT 1640007



NOTES:

1. REFER TO WESTPORT SERVICE MANUAL FOR WHEEL END ASSEMBLY PROCEDURES.
2. REFER TO MERITOR (OR HALDEX) SERVICE MANUAL FOR SLACK ADJUSTER INSTALLATION.
3. SOME GRINDING OF THE BRAKE ASSEMBLY (ITEM 21 & 22) IS REQUIRED FOR ASSEMBLY.
4. KING PIN REBUILD KIT (1667325B034) INCLUDES ITEMS 4, 5, 6, 7, 8, 9 & 11, PLUS KINGPIN BUSHINGS AND SEALS.
5. FABRICATED AXLE 5980001/5990001'S BEFORE JAN 2004. 5990029/5990029'S AFTER JAN 2004.
6. AXLE PART NUMBERS ENDING IN "S" SIGNIFY STEERLOCK OPTION

CHARTED PARTS

NUMBER	DESCRIPTION	ITEM #25 BLACK ASSY	ITEM #26 BRT INDOOR	ITEM #27 BRAKE COVER	ITEM #28 HUB/DRUM/WHITEL	ITEM #29 HUB CAP	ITEM #45 GASKET	ITEM #51 BRAKE ASSY LH	ITEM #22 BRAKE ASSY RH
1640003	HUB PILOT	1660019	1660019	1667325B015	1660032	1667325B012	1667325B013	1660028	1660029
1640005	STUB PILOT	1660036	1660036	1660037	1660061/62	1667325B012	1667325B013	1660028	1660029
1640007	CAST SPOKE	1660036	1660036	1660037	1667325B002	1667325B009	1664206B007	1660074	1660075
1640009	AL HUB PILOT PLATNM	1660036	1660036	1660037	1660081	1667325B012	1667325B013	1660028	1660029
1640011	HUB PILOT, KIC	1660036	1660036	1660037	1660076	1667325B012	1667325B013	1660028	1660029
1640033	HUB PILOT 19.5" SPL	1660036	1660036	1660037	1660084	1667325B012	1667325B013	1660028	1660029

ITEM No.	PART No.	PART DESCRIPTION	No. in Vehicle
1	SEE NOTE 5	FABRICATED AXLE (6690001 SHOWN)	1
2	1660006	KNUCKLE ASSY LH W/P	1
3	1660007	KNUCKLE ASSY RH W/P	1
4	1660008	KING PIN 12/16K W/P#1	2
5	1660009	BRG ASSY T18225 12/16K	2
6	1660010	SHIM KING PIN -016" T	A/R
7	1660011	SHIM KING PIN -005" T	A/R
8	1660012	SHIM KING PIN -010" T	A/R
9	1660013	LOCK PIN 12/16K W/P#1	2
10	1150001	L NUT 7/16-20 FLANGED	2
11	1660014	KING PIN CAP 12/16K	4
12	1660023	TIE ROD ARM LH W/P 1	1
13	1660024	TIE ROD ARM RH W/P 1	1
14	1137409B003	WOODRUFF KEY #25	2
15	1137409B001	NUT 1-3/8" 12NF SLOT	2
16	1137409B002	COTTER PIN 3/16" x 2-1	4
17	1660015	TIE ROD 12K 1.90" OD.	1
18	1130004	COTTER PIN 9/64" 1-3	2
19	4660033	TUBE ASSY STEER LOCK	2
20	9290015	PLUNGER STEER LOCK	2
21	SEE CHART	BRAKE ASSY LH 15X4 Q	1
22	SEE CHART	BRAKE ASSY RH 15X4 Q	1
23	1146237B108	HHCS 5/8" NF 2" LG.	16
24	1156315B108	L NUT 5/8" 18NF TOP LOCK	14
25	SEE CHART	SLACK ASSEMBLY	2
26	SEE CHART	BRACKET ANCHOR	2
27	SEE CHART	BRAKE CHAMBER TYPE 20	2
28	SEE CHART	HUB & DRUM	2
29	1664206B009	BRG ASSY HM212049 12	2
30	1667325B008	BRG ASSY #3782 12/14K	2
31	1667325B032	SEAL ASSY 12/14K #383-0136	2
32	1660021	WASHER SPINDLE 12/14K	2
33	1660022	NUT SPINDLE 12/14K	2
34	SEE CHART	HUB CAP	2
35	SEE CHART	GASKET	2
36	1144206B105	HHCS 5/16" 18NC 3/4" LG.	12
37	1164263B100	L WASHER 5/16" 18NF	12
38	1150010	IAM NUT 5/8" 18NF	2
39	1155861B002	HEX NUT 1.18NC (LISTED FOR REF ONLY)	2
40	1660037	BRAKE CHAMBER TYPE 20L	-
41	1144843B108	HHCS 5/8" 18NF x 2-1/2" LG	4
42	1167369B100	WASHER 5/8" SAE /A325	4
43	7210041	STOP PLATE STEER LOCK	2

1/21/05

RLT-232 FLEX-TRAC

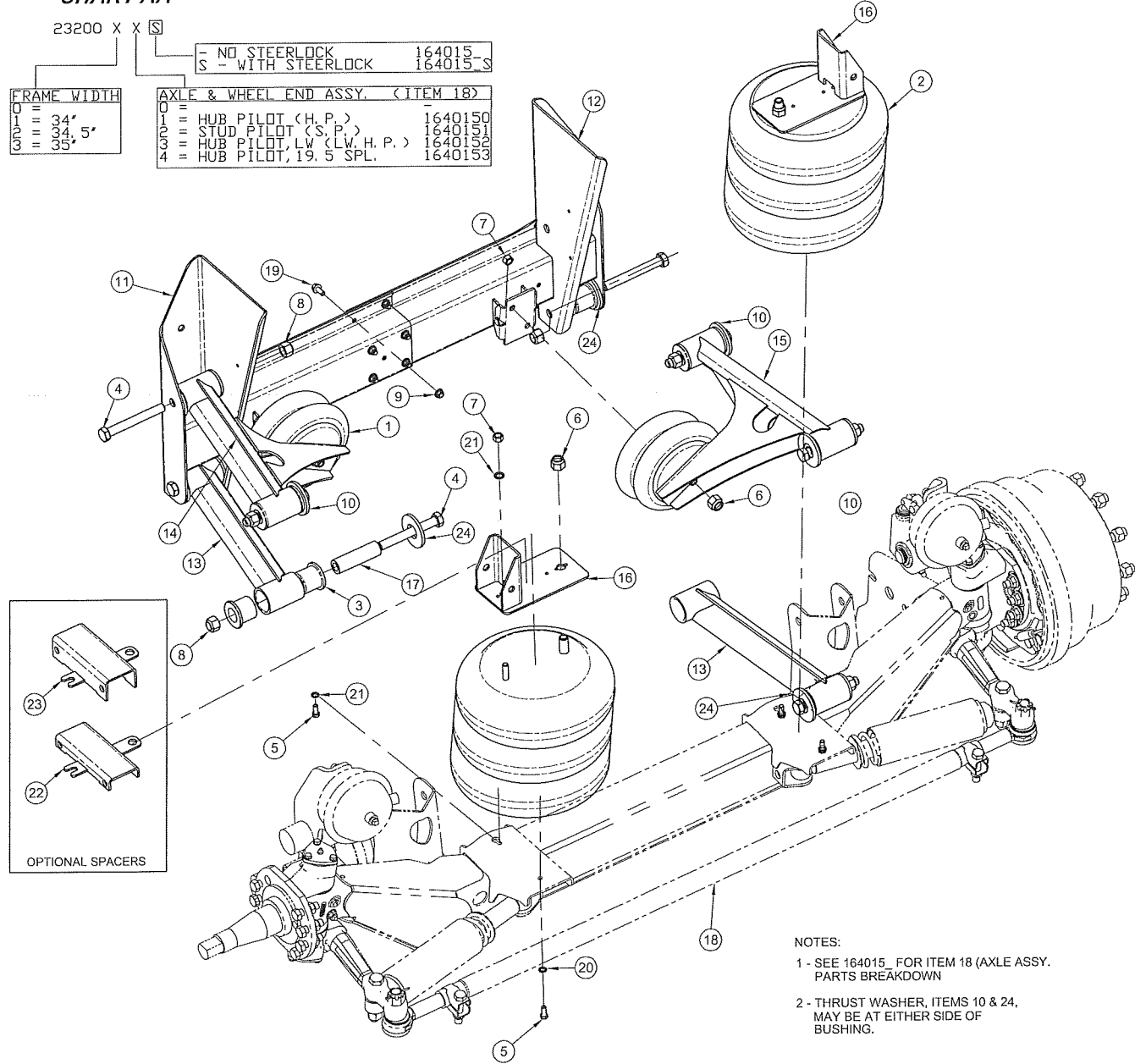
Self-Steering Auxiliary Axle Suspension System

RSS-232 ASSEMBLY

PART NUMBER CHART AA

23200 X X S	- NO STEERLOCK	164015
	S - WITH STEERLOCK	164015-S

FRAME WIDTH	AXLE & WHEEL END ASSY. (ITEM 18)
0 = 34'	1 = HUB PILOT (H.P.)
1 = 34.5'	2 = STUD PILOT (S.P.)
2 = 35'	3 = HUB PILOT, LW (LW.H.P.)
	4 = HUB PILOT, 19.5 SPL.

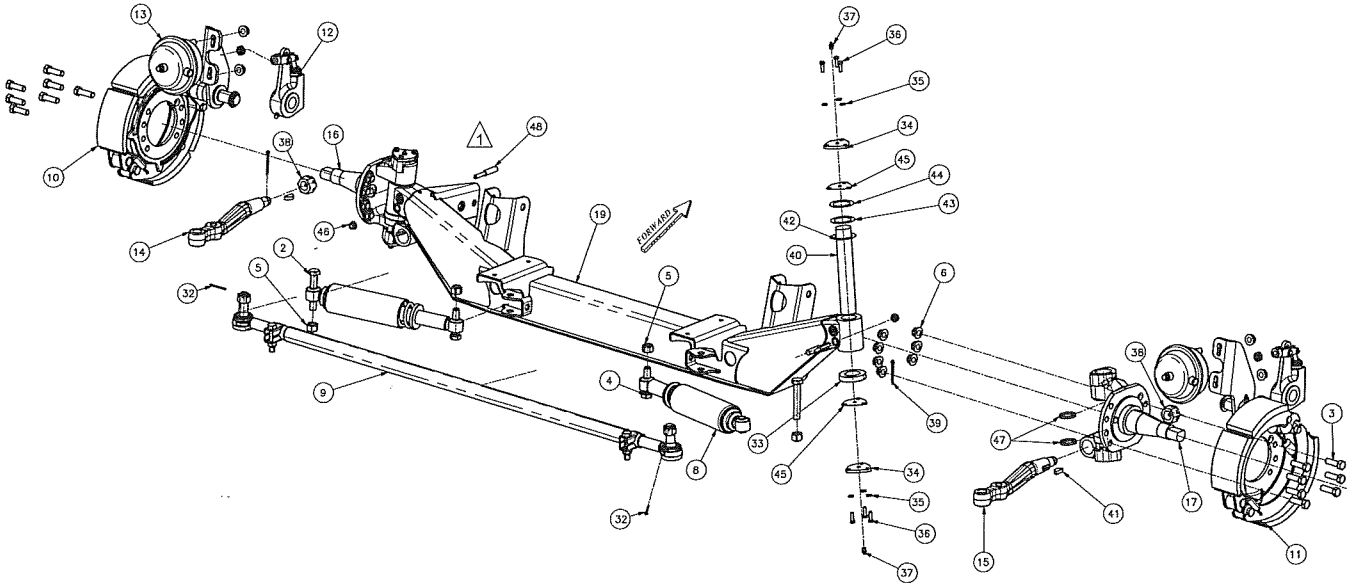
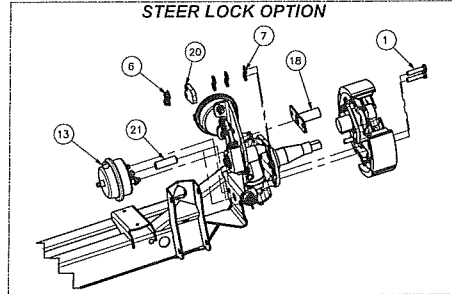
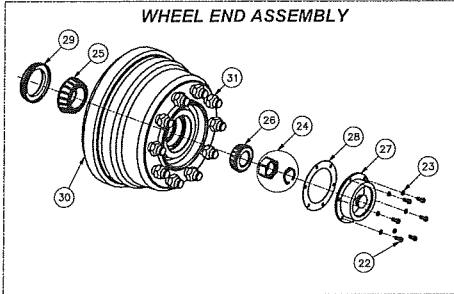


NOTES:
 1 - SEE 164015 FOR ITEM 18 (AXLE ASSY. PARTS BREAKDOWN)
 2 - THRUST WASHER, ITEMS 10 & 24, MAY BE AT EITHER SIDE OF BUSHING.

ITEM No.	PART No.	PART DESCRIPTION	No. REQD.
1	1002B09296G	A/SPG 2B9-296	2
2	1003B12343G	A/SPG 3B12-347	2
3	1120023	BUSHING, URETHANE 95DURD	16
4	1140031	HHCS 3/4' 10NC 6' LG.	8
5	1140044	HHCS 3/8' 16NC 3/4' LG.	4
6	1150011	L' NUT 3/4' -16NF	4
7	1150650B102	NUT 1/2' 13NC STD	2
8	1150709B105	L' NUT 3/4 10NC OVAL 3/4' HI	8
9	1157482B105	L' NUT 3/8' 16NC FLNGD TL.	8
10	1160009	WASHER UHMW .25 x 3.1 x 1.3	4
11	3170076	HANGER CROSSMEMBER ASSY. LH	1
12	3170077	HANGER CROSSMEMBER ASSY. RH	1
13	5050003	T' ROD ASSY.	1
14	5350024	UPPER LIFT ARM (LH)	2
15	5350025	UPPER LIFT ARM (RH)	1
16	3450107	UPPER AIR SPRING BRACKET ASSY.	1
17	9090041	SLEEVE 1.313' ODx. 751' IDx4.335' LG.	2
18	164015	AXLE & WHEEL END ASSEMBLY	8
19	1140042	HHCS 3/8-16NC x 7/8' LG FLG.	1
20	1160011	L' WASHER 3/8' INTERNAL TOOTH	8
21	1167482B000	L' WASHER 1/2 INTERNAL TOOTH	4
22	6000711	1' AIR SPRING SPACER KIT	(1)
23	6000712	2' AIR SPRING SPACER KIT	(1)
24	1160012	WASHER UHMW .25 X 2.6 X 1.3	4

RLT-232 FLEX-TRAC Axle Assembly

RSS-232 AXLE ASSEMBLY 164015_ 13.2K FG



PARTS REQUIRED FOR 164015 S (STEER LOCK)
PARTS REQUIRED FOR 164015 (NON STEER LOCK)

ITEM	PART NO.	DESCRIPTION	QTY	QTY
1	1140026	HHCS 5/8" 18NF 2-3/4"	2	4
2	1143076B105	HHCS 3/4" 10NC 4-1/2" LG	2	2
3	1146237B108	HHCS 5/8" 18NF 2" Lg.	14	10
4	1147698B105	HHCS 3/4" 10NC 3-1/4 LG	2	2
5	1150709B105	L'NUT 3/4" 10NC OVAL 3/4" HI	4	4
6	1156315B108	L'NUT 5/8" 18NF TOP LK	14	14
7	1167369B100	WASHER 5/8" SAE/A-325	12	12
8	1317570B001	DAMPER (GABRIEL 646155)	2	2
9	1660015	TIE ROD ASSY. 12K 190.0DX64.93 LG.	1	1
10	1660028	BRAKE ASSY LH 15X4 QU-PLUS	1	1
11	1660029	BRAKE ASSY RH 15X4 QU-PLUS @45°	1	1
12	1660036	SLACK ASSY.	2	2
13	1660037	BRAKE CHAMBER,TYPE 20L	2	4
14	1660097	TIE ROD ARM LH (RLT 232)	1	1
15	1660098	TIE ROD ARM RH RLT-232	1	1
16	1660101	KNUCKLE LH (FG SER.)	1	1
17	1660102	KNUCKLE RH (FG SER.)	1	1
18	4660052	STEER LOCK TUBE ASSY.	1	2
19	5640001	FAB AXLE ASSEMBLY (232)	1	1
20	5640001S	FAB AXLE ASSEMBLY (STEER LOCK) 232	1	1
21	7210048	STOP PLATE (STEER LOCK) 232	2	2
22	9290015	PLUNGER, STEER LOCK	2	2
23	1144206B105	HHCS 5/16" 18NC 3/4" LG.	12	12
24	1164263B100	L'WASHER 5/16" MED.	12	12
25	1660093	SPINDLE NUT F-12 #448-4836 W/NUT CLIP	2	2
26	1664206B009	BEARING ASSY. HM212049 12/14K INNER	2	2
27	1667325B008	BEARING ASSY. #3782 12/14K OUTER	2	2
28	1667325B012	HUB CAP 12/14K 4.5BC 340-4024	2	2
29	1667325B013	GASKET H/C 4.5" B.C. #330-3024	2	2
30	1667325B032	BEARING SEAL INNER	2	2
31	SEE CHART	HUB AND DRUM	SEE CHART A-A	SEE CHART A-A
32	SEE CHART	WHEEL NUT (SEE CHART)	SEE CHART A-A	SEE CHART A-A
33	1130004	COTTER PIN 9/64"x1-3/4	2	2

NOTES

- ① - STREET SIDE SHOWN WITH STEERLOCK OPTION
- ② - RIDEWELL P/N 1660106 KING PIN REBUILD KIT INCLUDES ITEM NO'S 33,34,35,36,40,42,43,44,45,46,47,48. AND KING PIN BEARINGS (1225-W-985)

CHART A-A

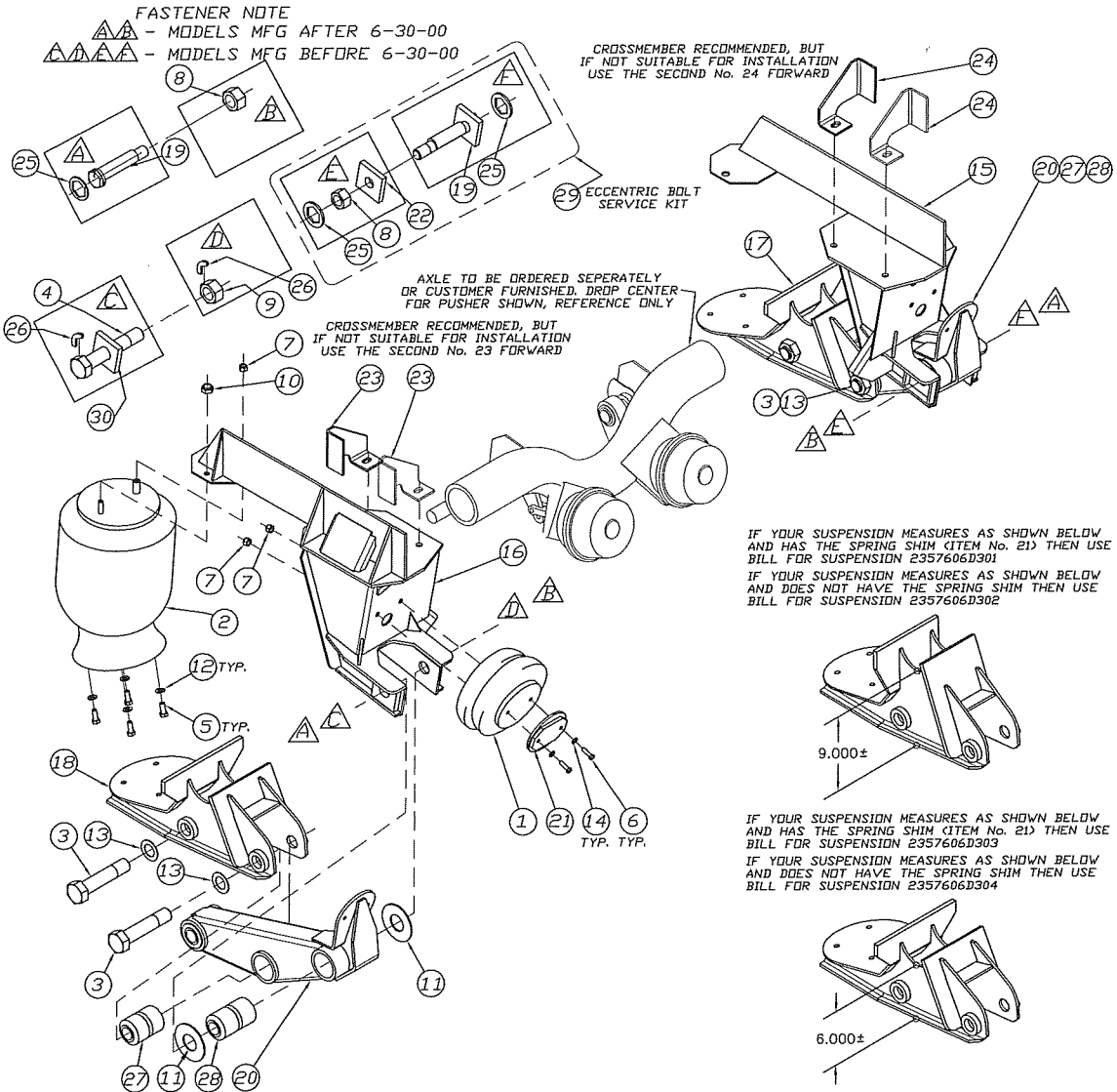
AXLE ASSEMBLY		ITEM #31 HUB&DRUM/WHEEL	QTY	ITEM #32 NUT	QTY
HUB PILOT	1640150	1660076	2	1160057	-
STUD PILOT	164015	1660062 LH	1	1660042 LH	-
		1660061 RH	1	1660043 RH	-
HUB PILOT L.W.	1640152	1660081	2	1160057	-
H/P 19.5" SPL	1640153	1660084	2	1160057	-

PARTS REQUIRED FOR 164015 S (STEER LOCK)
PARTS REQUIRED FOR 164015 (NON STEER LOCK)

ITEM	PART NO.	DESCRIPTION	QTY	QTY
33	1660009	BEARING ASSY (FG SER.) T-18225 (A122801356)	2	2
34	1660133	CAP-KING PIN (229714752)	4	4
35	1160004	WASHER FLAT .34 x .82 x .06 (1229E1669)	12	12
36	1140007	HHCS 5/16-18 1" LG (S-258P-2)	12	12
37	1660134	FITTING GREASE 1/8" MPTIF (1199N1860)	4	4
38	1660141	NUT-SLOTTED 1-1/8-12 UNF (1227X1610)	2	2
39	1137409B002	COTTER PIN 3/16 x 2-1/4 (K 2618)	2	2
40	1660135	KING PIN-KNUCKLE FF/GG (3101D1070)	2	2
41	1660140	WOODRUFF KEY ANSI 1210 (16X1035)	2	2
42	1660138	SHIM .015 (USE AS NEEDED) (220302942)	AS REQD.	AS REQD.
43	1660136	SHIM .005 (USE AS NEEDED) (2203L3002)	AS REQD.	AS REQD.
44	1660137	SHIM .010 (USE AS NEEDED) (2203K3001)	AS REQD.	AS REQD.
45	1660132	GASKET- KING PIN CAP (3208M1027)	4	4
46	1150001	NUT 7/16 FLANGED (1227Z780)	2	2
47	1660131	SEAL ASSY, KING PIN (A1205X1428)	4	4
48	1660139	DRAW KEY .44/20 3.88 (7X111)	2	2

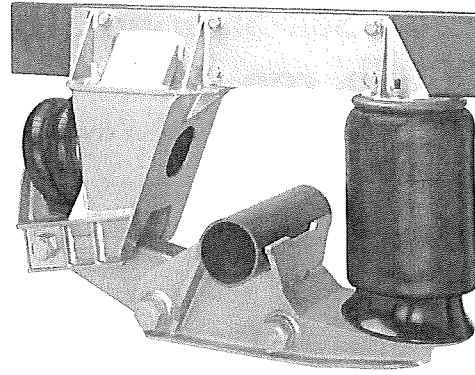
WHEEL END ASSEMBLY

RCA-235 Compact Air-Ride/Air-Lift, 22,000 lb. cap.



RCA-235

Parts Listing



Parts for Models Manufactured Before 6-3-00

ITEM	REQ'D	SUSPENSION MODEL	2357606D301	2357606D302	2357606D303	2357606D304
		PART DESCRIPTION	PART No.	PART No.	PART No.	PART No.
1	2	AIR SPRING (LIFT)	1003586905C	1003586905C	1003586905C	1003586905C
2	2	AIR SPRING (LOAD)	1003589245C	1003589320C	1003589245C	1003589320C
3	4	HHCS 1-1/2 6NC 7" LG	1130670B105	1130670B105	1130670B105	1130670B105
4	1	HHCS 1-1/2 6NC 8-1/2" LG	1135873B105	1135873B105	1135873B105	1135873B105
5	8	HHCS 1/2 13NC 1" LG	1140554B105	1140554B105	1140554B105	1140554B105
6	4	HHCS 3/8 16NC AIR SPRING MTG. BOLT	1141191B105	1140674B105	1141191B105	1140674B105
7	6	L'NUT 1/2" 13NC NYLON INSERT	1150555B112	1150555B112	1150555B112	1150555B112
8	1	NUT 1-1/4" 7NC	1152880B102	1152880B102	1152880B102	1152880B102
9	1	NUT 1-1/2" 6NC STANDARD	1154410B102	1154410B102	1154410B102	1154410B102
10	2	L'NUT 3/4" 16NF HEX JAM NUT THIN	1154700B102	1154700B102	1154700B102	1154700B102
11	4	WASHER 6.25X2.125X.135 UHMW	1160519B903	1160519B903	1160519B903	1160519B903
12	8	L'WASHER 1/2" S/T MED	1160556B100	1160556B100	1160556B100	1160556B100
13	4	L'WASHER 1-1/2" INT TOOTH	1160673B000	1160673B000	1160673B000	1160673B000
14	4	L'WASHER 3/8" S/T MED	1160675B100	1160675B100	1160675B100	1160675B100
15	1	HANGER ASSY LH	3167606C100	3167606C100	3167606C100	3167606C100
16	1	HANGER ASSY RH	3167606C200	3167606C200	3167606C200	3167606C200
17	1	LOAD BEAM ASSEMBLY RH	4050004	4050004	4050006	4050006
18	1	LOAD BEAM ASSEMBLY LH	4050003	4050003	4050005	4050005
19	1	ECCENTRIC BOLT ASY 8.25"	5007177B000	5007177B000	5007177B000	5007177B000
20	2	T'BEAM ASY-LIFT 21.5" LG	5097606B000	5097606B000	5097606B000	5097606B000
21	2	LIFT SPRING SHIM ASSY	5487606B000	N/A	5487606B000	N/A
22	1	CLMP'G PLT 3.5" SQ 1-1/4"D	7401494B000	7401494B000	7401494B000	7401494B000
23	2	ANGLE CLIP-HGR REINF LH	8257606B102	8257606B102	8257606B102	8257606B102
24	2	ANGLE CLIP-HGR REINF RH	8257606B202	8257606B202	8257606B202	8257606B202
25	2	ANTI-TURN WASHER	9003092B000	9003092B000	9003092B000	9003092B000
26	2	LOCKING PLATE	9004565B000	9004565B000	9004565B000	9004565B000
27	2	BUSHING 4-7/16 X 1-1/2 70D	1110512B000	1110512B000	1110512B000	1110512B000
28	2	BUSHING 5-1/4 LG 70-75 DURO	1116176B000	1116176B000	1116176B000	1116176B000
29	1	ECC BOLT SER KIT 8-1/4" TRUCK	5027177B235	5027177B235	5027177B235	5027177B235
30	1	CLAMP PLT OFFSET 1-1/2D	7407511B000	7407511B000	7407511B000	7407511B000

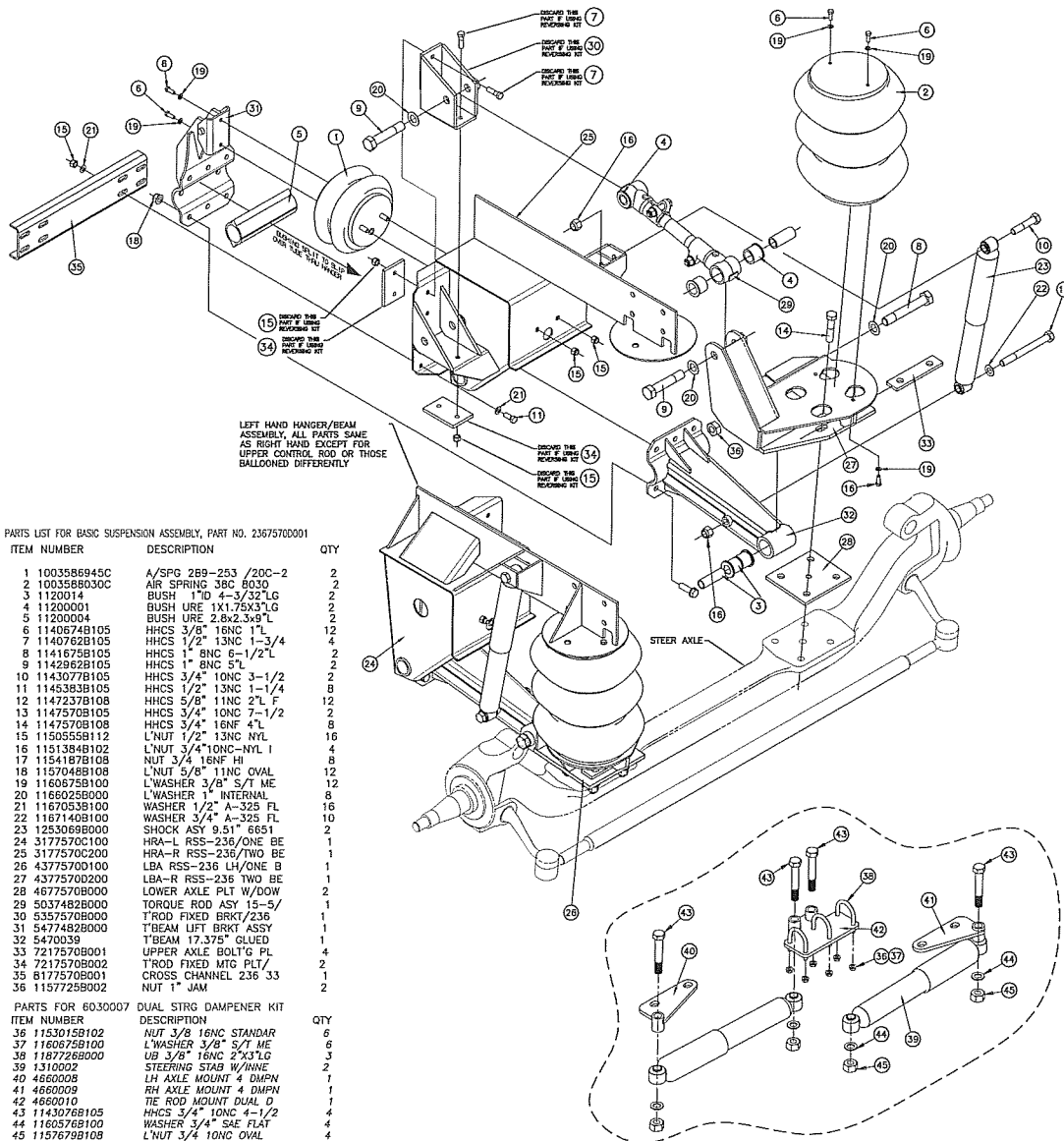
Parts for Models Manufactured After 6-3-00

ITEM	REQ'D	SUSPENSION MODEL	2350007	2350008	2350009	2350010
		PART DESCRIPTION	PART No.	PART No.	PART No.	PART No.
1	2	AIR SPRING (LIFT)	1003586905C	1003586905C	1003586905C	1003586905C
2	2	AIR SPRING (LOAD)	1003589245C	1003589320C	1003589245C	1003589320C
3	4	HHCS 1-1/2 6NC 7" LG	1130670B105	1130670B105	1130670B105	1130670B105
5	8	HHCS 1/2 13NC 1" LG	1140554B105	1140554B105	1140554B105	1140554B105
6	4	HHCS 3/8 16NC AIR SPRING MTG. BOLT	1141191B105	1140674B105	1141191B105	1140674B105
7	6	L'NUT 1/2" 13NC NYLON INSERT	1150555B112	1150555B112	1150555B112	1150555B112
8	2	L'NUT 1-1/4" 7NC	1155648B108	1155648B108	1155648B108	1155648B108
10	2	L'NUT 3/4" 16NF HEX JAM NUT THIN	1154700B102	1154700B102	1154700B102	1154700B102
11	4	WASHER 6.25X2.125X.135 UHMW	1160519B903	1160519B903	1160519B903	1160519B903
12	8	L'WASHER 1/2" S/T MED	1160556B100	1160556B100	1160556B100	1160556B100
13	4	L'WASHER 1-1/2" INT TOOTH	1160673B000	1160673B000	1160673B000	1160673B000
14	4	L'WASHER 3/8" S/T MED	1160675B100	1160675B100	1160675B100	1160675B100
15	1	HANGER ASSY LH	3160003	3160003	3160003	3160003
16	1	HANGER ASSY RH	3160004	3160004	3160004	3160004
17	1	LOAD BEAM ASSEMBLY RH	4050004	4050004	4050006	4050006
18	1	LOAD BEAM ASSEMBLY LH	4050003	4050003	4050005	4050005
19	2	ECCENTRIC BOLT	1130009	1130009	1130009	1130009
20	2	T'BEAM ASY-LIFT 21.5" LG	5097606B000	5097606B000	5097606B000	5097606B000
21	2	LIFT SPRING SHIM ASSY	5487606B000	N/A	5487606B000	N/A
23	2	ANGLE CLIP-HGR REINF LH	8257606B102	8257606B102	8257606B102	8257606B102
24	2	ANGLE CLIP-HGR REINF RH	8257606B202	8257606B202	8257606B202	8257606B202
25	2	ANTI-TURN WASHER	9003092B000	9003092B000	9003092B000	9003092B000
27	2	BUSHING 4-7/16 X 1-1/2 70D	1110512B000	1110512B000	1110512B000	1110512B000
28	2	BUSHING 5-1/4 LG 70-75 DURO	1116176B000	1116176B000	1116176B000	1116176B000

RSS-236 Self-Steering SURE-TRAC

13,000 lb. cap.

16,000 & 20,000 lb. cap. also available - Contact Ridewell for parts list.

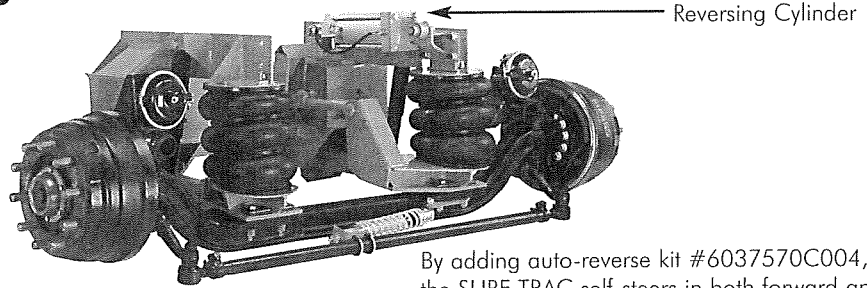


PARTS LIST FOR BASIC SUSPENSION ASSEMBLY, PART NO. 2367570001

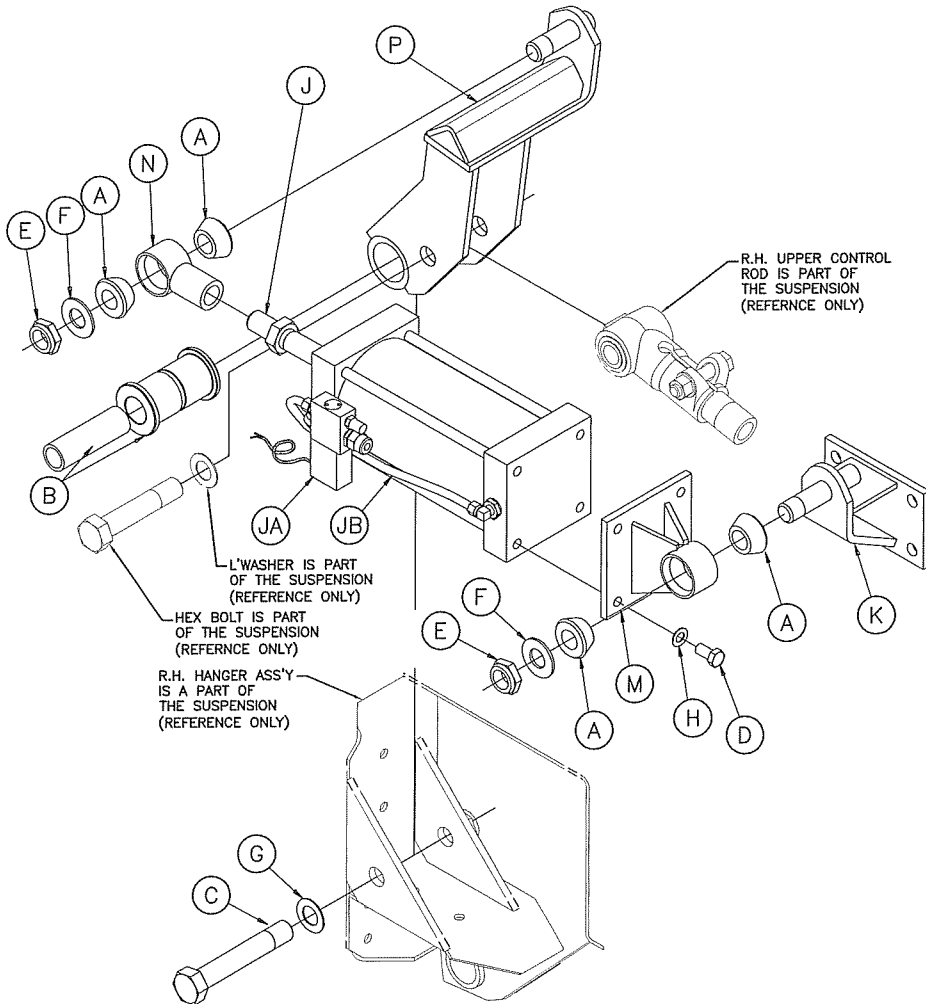
ITEM NUMBER	DESCRIPTION	QTY	
1	1003586945C	A/SPG 289-253 /20C-2	2
2	1003588030C	AIR SPRING 38C 8030	2
3	1120014	BUSH 1" ID 4-3/32 LG	2
4	1120001	BUSH URE 1X1.75X3.1 LG	2
5	1120004	BUSH URE 2.8X2.3X9" L	2
6	1140674B105	HHCS 3/8" 16NC 1" L	12
7	1140762B105	HHCS 1/2" 13NC 1-3/4	4
8	1141678B105	HHCS 1" 8NC 6-1/2" L	2
9	1142628B105	HHCS 1" 8NC 5" L	2
10	1143077B105	HHCS 3/4" 10NC 3-1/2	2
11	1145383B105	HHCS 1/2" 13NC 1-1/4	8
12	1147237B108	HHCS 5/8" 11NC 2" L F	12
13	1147570B105	HHCS 3/4" 10NC 7-1/2	2
14	1147570B108	HHCS 3/4" 16NF 4" L	8
15	1150555B112	L'NUT 1/2" 13NC NYL	16
16	1151384B102	L'NUT 3/4" 10NC-NYL I	4
17	1154187B108	NUT 3/4 16NF HI	8
18	1157048B108	L'NUT 5/8" 11NC OVAL	12
19	1160875B100	L'WASHER 3/8" S/T ME	12
20	1166025B000	L'WASHER 1" INTERNAL	8
21	1167053B100	WASHER 1/2" A-325 FL	16
22	1167140B100	WASHER 3/4" A-325 FL	10
23	1253069B000	SHOCK ASY 9.51" 6651	2
24	3177570C100	HRA-L RSS-236/ONE BE	1
25	3177570C200	HRA-R RSS-236/TWO BE	1
26	4377570D100	LBA RSS-236 LH/ONE B	1
27	4377570D200	LBA-R RSS-236 TWO BE	1
28	4677570B000	LOWER AXLE PLT W/DOW	2
29	5037482B000	TORQUE ROD ASY 15-5/	1
30	5357570B000	T'ROD FIXED BRKT/236	1
31	5477482B000	T'BEAM LIFT BRKT ASSY	1
32	5470538	T'BEAM 17.375" GLUED	1
33	7217570B001	UPPER AXLE BOLT'G PL	4
34	7217570B002	T'ROD FIXED MITG PLT/	2
35	6177570B001	CROSS CHANNEL 236 33	1
36	1157725B002	NUT 1" JAM	2

ITEM NUMBER	DESCRIPTION	QTY	
36	1153015B102	DUAL STRG DAMPENR KIT	6
37	1180675B100	NUT 3/8 16NC STANDAR	6
38	1187726B000	L'WASHER 3/8" S/T ME	3
39	1310002	UB 3/8" 16NC 2"X3"LG	3
40	4660008	STEERING STAB W/INNE	2
41	4660009	LH AXLE MOUNT 4 DMPN	1
42	4660010	RH AXLE MOUNT 4 DMPN	1
43	1143076B105	TIE ROD MOUNT DUAL D	4
44	1160875B100	HHCS 3/4" 10NC 4-1/2	4
45	1157679B108	WASHER 3/4" S4C PLAT	4
46	1157679B108	L'NUT 3/4 10NC OVAL	4

RSS-236R Self-Steering SURE-TRAC Auto Reverse Kit

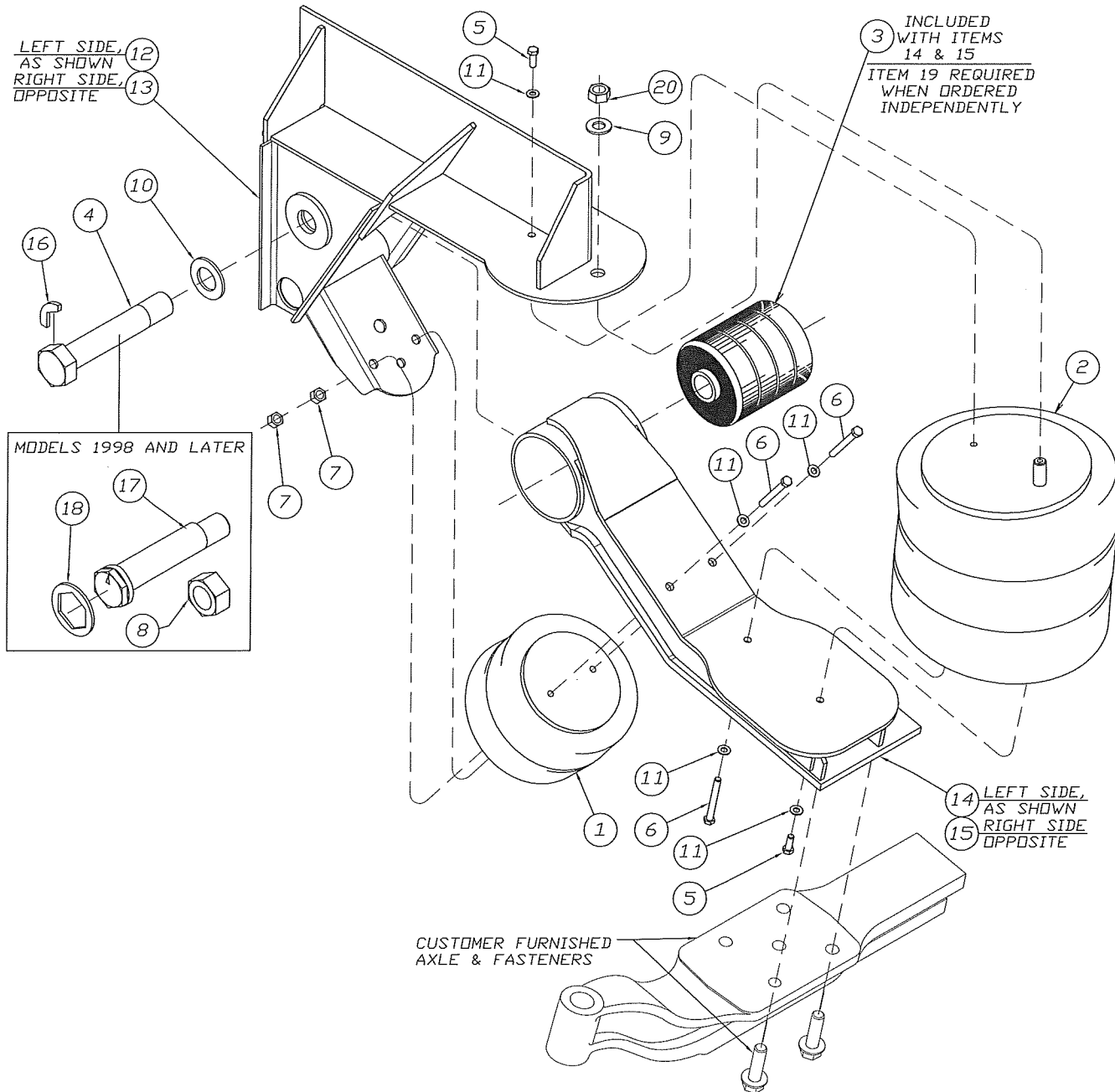


By adding auto-reverse kit #6037570C004, the SURE-TRAC self-steers in both forward and reverse modes. Kit includes air cylinder and solenoid.



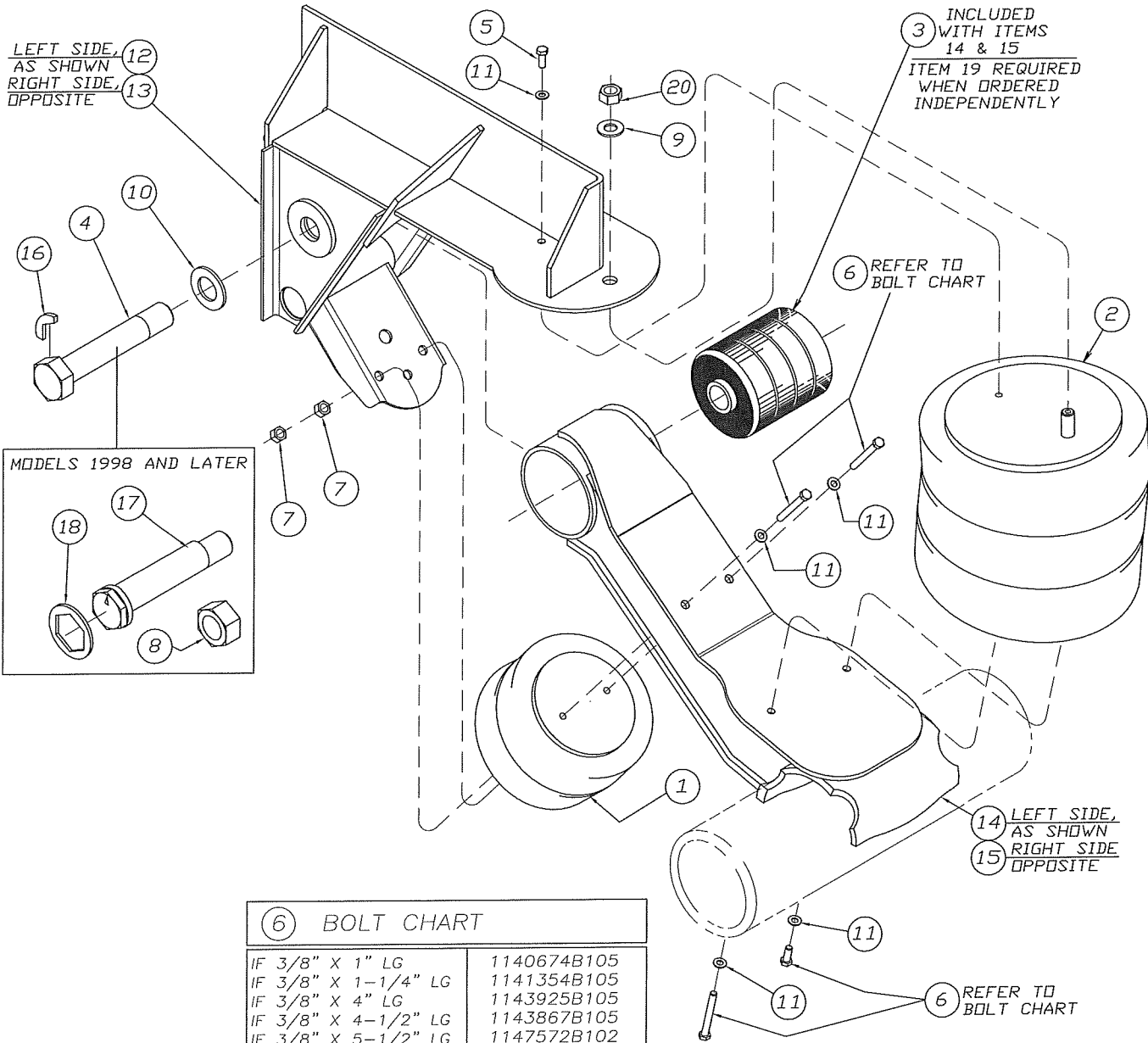
PARTS FOR OPTIONAL AUTO-REVERSING KIT, PART No. 6037570C004			
ITEM No.	PART No. & PART	PART DESCRIPTION	No. REQ'D
A	1120003	BUSHING SHOCK 1" ID	4
B	1120014	BUSHING 1" ID 4-3/32" LG	1
C	1135711B108	HC'S 1 8NC 6LG 1-1/4 THR	1
D	1143465B105	HC'S 1/2 20NF 1" LG	4
E	1155939B102	L'NUT 1 8NC NI-THIN	2
F	1161677B100	WASHER 1 SAE FLAT	2
G	1166025B000	L'WASHER 1" INT TOOTH	1
H	1167482B000	L'WASHER 1/2 INT. TOOTH	4
J	1247570B000	CYL/CONTROLS ASY/RSS-236	1
JA	1237570B301	SOLENOID VALVE 4-WAY 12V	1
JB	1567482B000	AIR CYL 5 BORE X 8 STROKE	1
K	3577482B000	CYL MTG BRKT REAR	1
M	5447482B000	MTG ASS'Y CYL BASE	1
N	5447482B301	CYL ROD EYE END ASS'Y	1
P	5470036	REVERSING LEVER ASY/236	1

RUL-245 Light Duty BANTAMWEIGHT Series for I-Beam Axles 13,000 lb. cap.



ITEM	REQID	PART DESCRIPTION	SUSPENSION MODEL	2450004 or 2457615D000	2450005 or 2457616D000
				PART NO.	PART NO.
1	2	AIR SPRING (LIFT)		1003586905C	1003586905C
2	2	AIR SPRING (LOAD)		1003587447C	1003588008C
3	2	BUSHING MONOPIVOT 62DURO		1117625C060	1117625C060
4	2	HHCS 1-1/2i 16NC 8-1/2iLG		1135873B105	1135873B105
5	4	HHCS 3/8" 16NC 1"LG		1140674B105	1140674B105
6	6	HHCS 3/8 16NC 3-1/4iLG		1147615B105	1147615B108
7	4	L'NUT 1/2" 13NC NYLON INSERT		1150555B112	1150555B112
8	2	LINUT 1-1/4" 7NC		1155648B108	1155648B108
9	2	L'WASHER 3/4" 5/T MED		1160557B100	1160557B100
10	2	L'WASHER 1-1/2" INT TOOTH		1160673B000	1160673B000
11	10	L'WASHER 3/8" 5/T MED		1160675B100	1160675B100
12	1	HGR WELDMENT-LH		3360033	3360031
13	1	HGR WELDMENT-RH		3360034	3360032
14	1	LOAD BEAM W/ BONDED MONO-PIVOT LH		4287615B101	4287615B101
15	1	LOAD BEAM W/ BONDED MONO-PIVOT RH		4287615B201	4287615B201
16	2	LOCKING PLATE		9004565B000	9004565B000
17	2	ECCENTRIC BOLT 9-1/2i		1137694B000	1137694B000
18	2	ANTI-TURN WASHER		9003092B000	9003092B000
19	1	EPOXY KIT FOR BUSHING REPLACEMENT		1987625B000	1987625B000
20	2	LINUT 3/4 i 16 NF STD		1150558B102	1150558B102

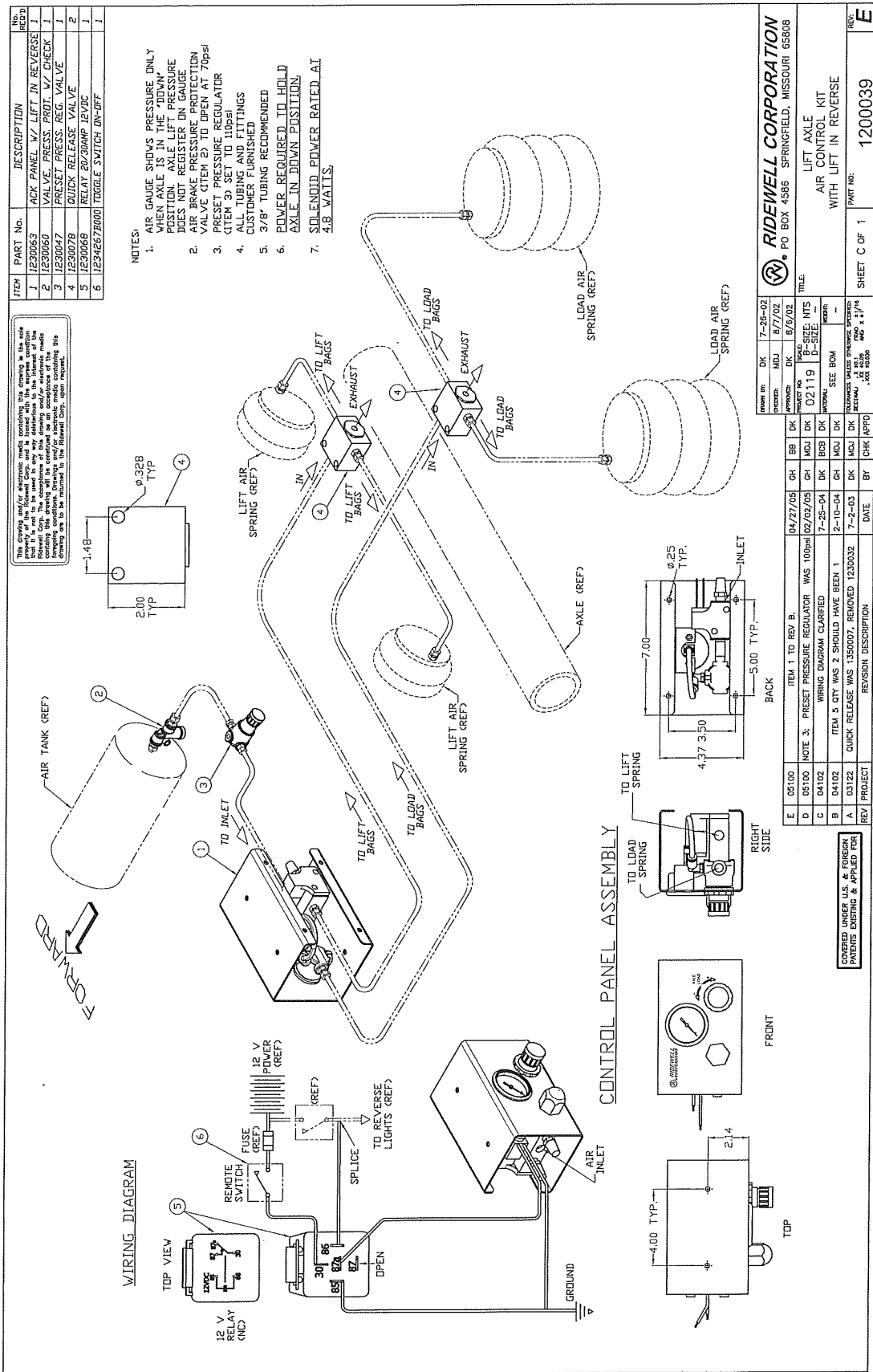
RUL-245 Light Duty BANTAMWEIGHT Series for Round Axles 12,000 and 13,000 lb. cap.



⑥ BOLT CHART	
IF 3/8" X 1" LG	1140674B105
IF 3/8" X 1-1/4" LG	1141354B105
IF 3/8" X 4" LG	1143925B105
IF 3/8" X 4-1/2" LG	1143867B105
IF 3/8" X 5-1/2" LG	1147572B102

ITEM	REQ'D	PART DESCRIPTION	SUSPENSION MODEL			
			2450008 or 2457666D003	2450009 or 2457666D005	2450020	2450021
1	2	AIR SPRING (LIFT)	1003586905C	1003586905C	1003586905C	1003586905C
2	2	AIR SPRING (LOAD)	1003B12338G	1003588806C	1003588008C	1003587447C
3	2	BUSHING MONOPIVOT 62DURO	1117625C060	1117625C060	1117625C060	1117625C060
4	2	HHCS 1-1/2" 6NC 8-1/2" LG	N/A	N/A	1135873B105	N/A
5	2	HHCS 3/8" 16NC 1" LG	1140674B105 (if req'd)	1140674B105	1140674B105	1140674B105
6	***	AIR SPRING ATTACHMENT BOLT	REFER TO BOLT CHART	REFER TO BOLT CHART	REFER TO BOLT CHART	REFER TO BOLT CHART
7	4	L'NUT 1/2" 13NC NYLON INSERT	1150555B112	1150555B112	1150555B112	1150555B112
8	2	L'NUT 1-1/4" 7NC	1155648B108	1155648B108	1155648B108	1155648B108
9	2	L'WASHER 3/4" S/T MED	1160557B100	1160557B100	1160557B100	1160557B100
10	2	L'WASHER 1-1/2" INT TOOTH	1160673B000	1160673B000	1160673B000	1160673B000
11	10	L'WASHER 3/8" S/T MED	1160675B100 (if req'd)	1160675B100	1160675B100	1160675B100
12	1	HGR WELDMENT-LH	3367666C104	3367666C105	3360027	3360029
13	1	HGR WELDMENT-RH	3367666C204	3367666C205	3360028	3360030
14	1	LOAD BEAM W/BONDED MONOPIVOT/LH	4287666B103	5847666B105	4287666B103	4287666B103
15	1	LOAD BEAM W/BONDED MONOPIVOT/RH	4287666B203	5847666B205	4287666B203	4287666B203
16	2	LOCKING PLATE	9004565B000	9004565B000	9004565B000	9004565B000
17	2	ECCENTRIC BOLT 9.5"	1137694B000	1137694B000	1137694B000	1137694B000
18	2	ANTI-TURN WASHER	9003092B000	9003092B000	9003092B000	9003092B000
19	1	EPOXY KIT FOR BUSHING REPLACEMENT	1987625B000	1987625B000	1987625B000	1987625B000
20	2	L'NUT 3/4" 16NF HEX	1154700B102	1154700B102	1154700B102	1154700B102

Lift Axle Air Control Kit with Reverse



ITEM	PART No.	DESCRIPTION	No. RECD
1	IE30053	ACK PANEL W/ LIFT IN REVERSE	1
2	IE30060	VALVE, PRESS. PROT. W/ CHECK	1
3	IE30047	PRESET PRESS. REG. VALVE	1
4	IE30078	QUICK RELEASE VALVE	2
5	IE30068	RELAY 20/30AMP 12VDC	1
6	IE342678000	TOGGLE SWITCH ON-OFF	1

- NOTES:
- AIR GAUGE SHOWS PRESSURE ONLY WHEN AXLE IS IN THE DOWN POSITION. PRESSURE GAUGE IDEES NOT REGISTER ON GAUGE.
 - AIR BRAKE PROTECTION VALVE (ITEM 2) TO OPEN AT 70PSI (ITEM 3) SET TO 100PSI
 - ALL TUBING AND FITTINGS CUSTOMER FURNISHED
 - 3/8" TUBING RECOMMENDED
 - POWER REQUIRED TO HOLD AXLE IN DOWN POSITION, SOLENOID POWER RATED AT 4.8 WATTS.

This drawing and all other drawings containing this drawing are the property of the owner. It is not to be used in any way without the written permission of the owner. Any reproduction of this drawing without the written permission of the owner will be considered an infringement of the owner's rights and will be subject to legal action.

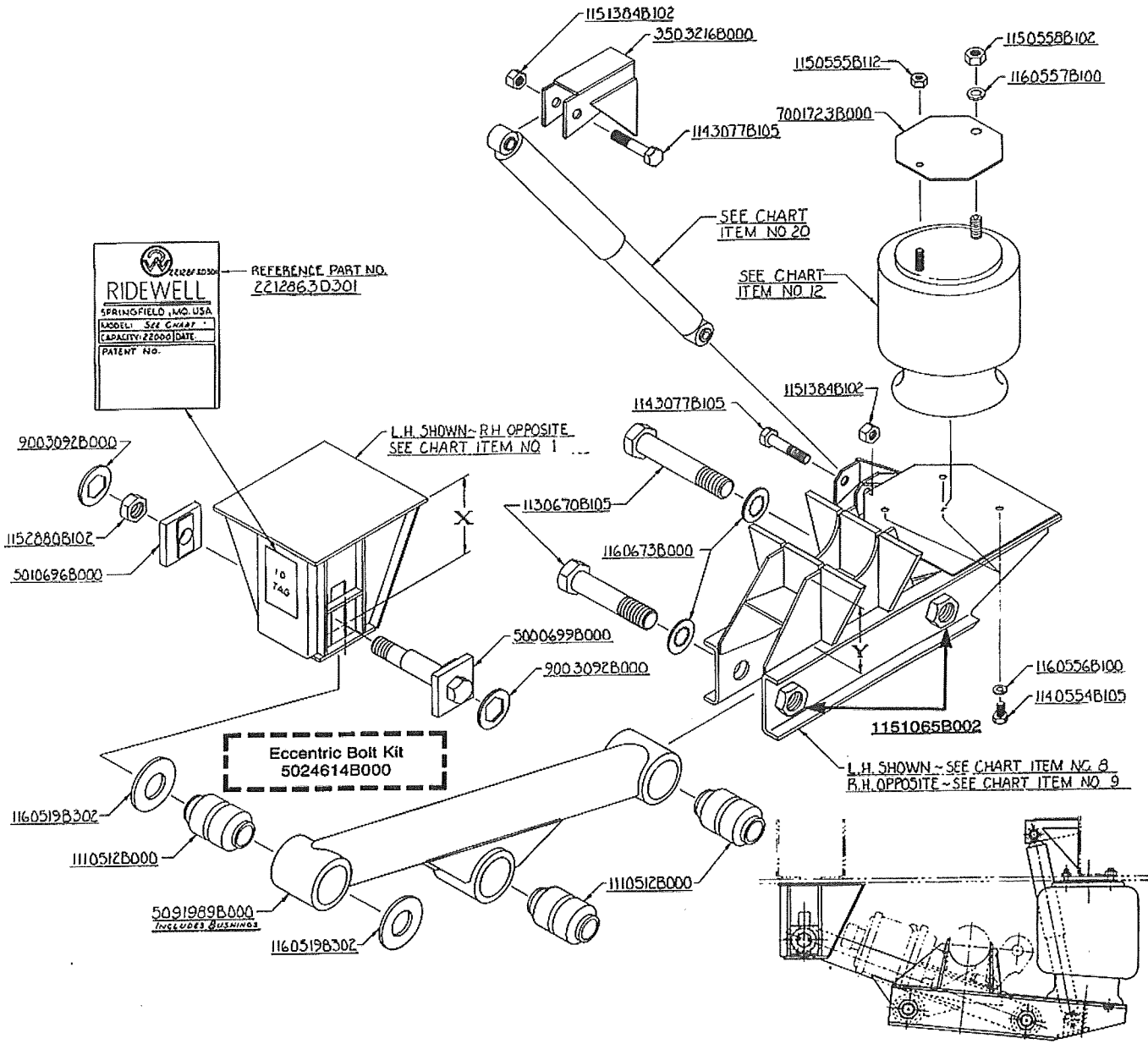
REV	PROJECT	REVISION DESCRIPTION	DATE	BY	CHK	APPD
E	05100	ITEM 1 TO REV B.	04/27/05	GH	BB	DK
D	05100	NOTE 3: PRESET PRESSURE REGULATOR WAS 100PSI	02/02/05	GH	IMJ	DK
C	04102	WIRING DIAGRAM CLARIFIED	7-25-04	DK	BCB	DK
B	04102	ITEM 5 QTY WAS 2 SHOULD HAVE BEEN 1	2-10-04	GH	IMJ	DK
A	03122	QUICK RELEASE WAS 1350007 REMOVED 123032	7-2-03	DK	IMJ	DK

Drawn by	DK	7-25-02
Checked by	IMJ	8/7/02
Released by	DK	8/9/02
Project No.	02119	
B-SIZE NTS		
D-SIZE		
SEE BOM		
REVISIONS		
DATE		
BY		
CHK		
APPD		

RIDEWELL CORPORATION P.O. BOX 4586 SPRINGFIELD, MISSOURI 65808	
LIFT AXLE	
AIR CONTROL KIT	
WITH LIFT IN REVERSE	
SHEET C OF 1	PART NO: 1200039
REV:	E

RAR-221S with Oscillating Axle Seat, 22,000 lb. cap.

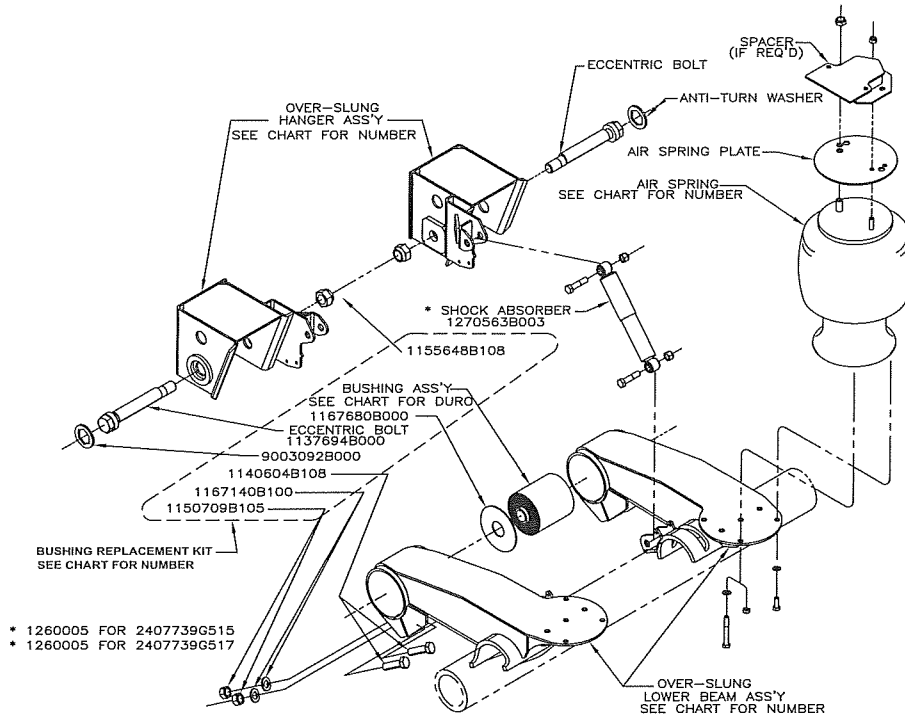
TRAILER SUSPENSIONS



SUSPENSION MODEL NO.	TYPE OF AXLE	"X"	"Y"	HANGER ASY ITEM #1	BEAM ASSEMBLY		AIR SPRING ITEM #12	SHOCK ABSORBER ASY ITEM #20
					LEFT HAND ITEM #8	RIGHT HAND ITEM #9		
RAR-221AS-11-USW	5" ROUND	6-3/4	5-1/2	3242860C101/201	4042758D100	4042759D200	1003589105C	1253069B000
RAR-221AS-11-1 USW	5" ROUND	6-1/4	4	3242860C102/202	4042760D100	4042761D200	1003589105C	1253069B000
RAR-221AS-12-USW	5" ROUND	7-1/4	5-1/2	3242860C103/203	4042758D100	4042759D200	1003589082C	1250546B000
RAR-221AS-12-1-USW	5" ROUND	8-1/4	4	3242863C101/201	4042760D100	4042761D200	1003589082C	1250546B000
RAR-221AS-13-USW	5" ROUND	9-7/4	5-1/2	3245446C102/202	4042758D100	4042759D200	1003589101C	1251894B000
RAR-221AS-13-1-USW	5" ROUND	12-1/4	4	3242862C101/201	4042760D100	4042761D200	1003589101C	1251894B000

*100" SERIES SUFFIX = L.H.
*200" SERIES SUFFIX = R.H.

RAR-240 Monopivot Overslung 25,000 lb. cap., Mfg. After 10-1-95



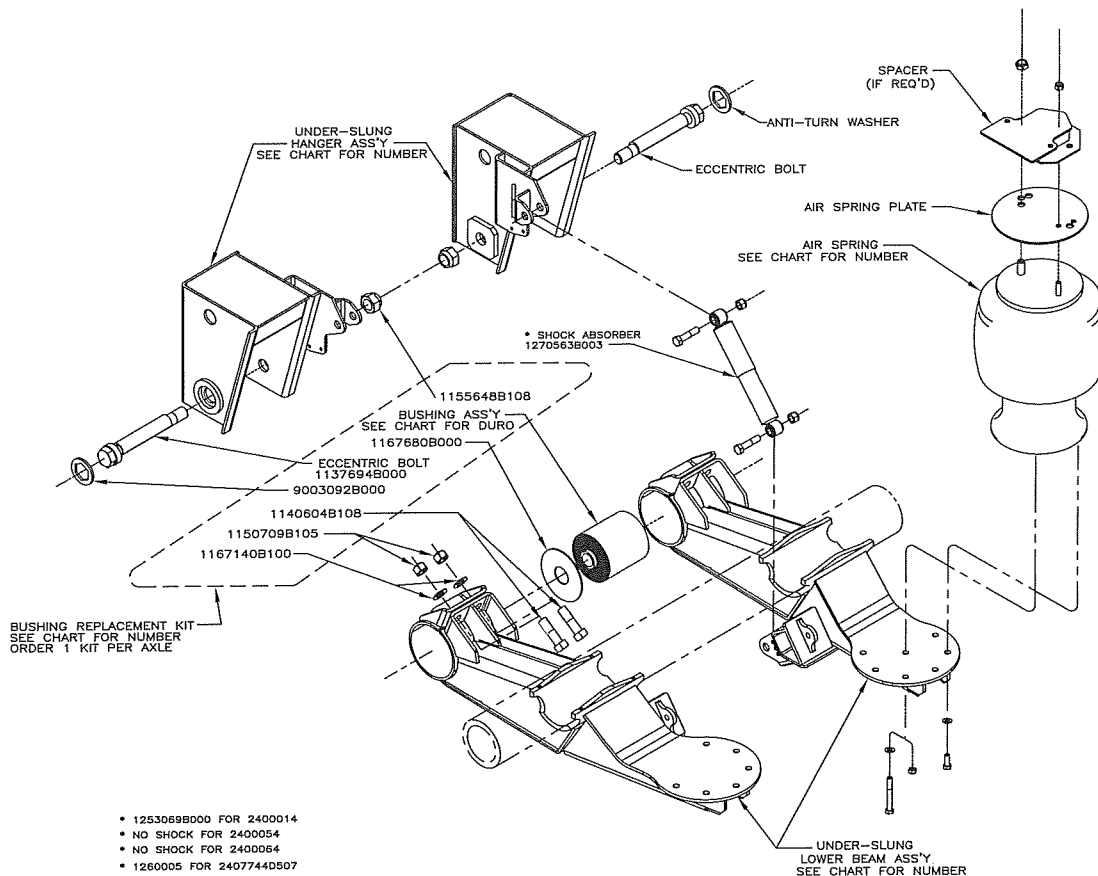
- * 1260005 FOR 2407739G515
- * 1260005 FOR 2407739G517

TRAILER SUSPENSIONS

SUSPENSION PART NUMBER	HANGER ASSY. LH/RH	BUSHING/BEAM ASSY. LH/RH	BUSHING REPLACEMENT KIT	AIR SPRING
2400010	3267739C101/201	5970085/86	6040029 (60 DURO)	1001R13109G
2400018	3260028/29	5970087/88	6040029 (60 DURO)	1001R13109G
2400031	3267739C103/203	5970169/70	6040029 (60 DURO)	1000008050G
2400033	3267739C103/203	5970171/72	6040029 (60 DURO)	1000008050G
2400035	32600017/18	5970171/72	6040029 (60 DURO)	1000008050G
2400037	3267739C100/200	5970042/43	6040029 (60 DURO)	1000008050G
2400039	3267739C100/200	5970044/45	6040029 (60 DURO)	1000008050G
2400041	3260013/14	5970171/72	6040029 (60 DURO)	1000008050G
2400044	3267739C103/203	5970087/88	6040029 (60 DURO)	1003588052C
2400045	3267739C103/203	5970087/88	6040029 (60 DURO)	1000008050G
2400046	3260042/43	5970087/88	6040029 (60 DURO)	1001R13109G
2400059	3260062/63	5970089/90	6040029 (60 DURO)	1000008050G
2400063	3267739C100/200	5970111/12	6040028 (70 DURO)	1001R13109G
2400068	3267738C100/200	5970113/14	6040029 (60 DURO)	1001R12593G
2400075	3267739C100/200	5970169/70	6040029 (60 DURO)	1000008050G
2400076	3267739C100/200	5970171/72	6040029 (60 DURO)	1000008050G
2400112	3267738C100/200	5970083/84	6040029 (60 DURO)	1003588002X
2400115	3267739C100/200	5977739B100/200	6040029 (60 DURO)	1001R13109G
2400117	3267739C100/200	5977739B101/201	6040029 (60 DURO)	1001R13109G
2400119	3260013/14	5970087/88	6040029 (60 DURO)	1001R13109G
2400121	32600007/08	5970087/88	6040029 (60 DURO)	1001R13109G
2400123	32600001/02	5970087/88	6040029 (60 DURO)	1001R13109G
2400315	3267739C103/203	5970085/86	6040029 (60 DURO)	1001R13109G
2400317	3267739C103/203	5970087/88	6040029 (60 DURO)	1001R13109G
2400319	32600017/18	5970087/88	6040029 (60 DURO)	1001R13109G
2400321	3260060/61	5970171/72	6040029 (60 DURO)	1000008050G
2400415	3267739C102/202	5970085/86	6040029 (60 DURO)	1001R13097G
2400417	3267739C102/202	5970087/88	6040029 (60 DURO)	1001R13097G
2400421	3260046/47	5970171/72	6040029 (60 DURO)	1000008050G
2400515	3267739C100/200	5970085/86	6040029 (60 DURO)	1001R13097G
2400517	3267739C100/200	5970087/88	6040029 (60 DURO)	1001R13097G
2400715	3267739C100/200	5970085/86	6040029 (60 DURO)	1001R13109G
2400717	3267739C100/200	5970087/88	6040029 (60 DURO)	1001R13109G
2407692D214	3267692C100/200	5977692B100/200	6040029 (60 DURO)	1001R13097G
2407692D217	3267692C117/217	5970087/88	6040029 (60 DURO)	1001R13097G
2407739G515	3267739C100/200	5970085/86	6040029 (60 DURO)	1001R13109G
2407739G517	3267739C100/200	5970087/88	6040029 (60 DURO)	1001R13109G
LKS OR STRAIGHT AXLE				
2400079	3260100/01	3010184/85	6040029 (60 DURO)	1000008050G
2400083	3260106/07	3010304/05	6040029 (60 DURO)	1000008050G
2400084	3260108/09	3010306/07	6040029 (60 DURO)	1000008050G
2400085	3260102/03	3010308/09	6040029 (60 DURO)	1000008050G
2400086	3260104/05	3010310/11	6040029 (60 DURO)	1000008050G

RAR-240 Monopivot, Underslung 25,000 lb. cap. Mfg. After 10-1-95

TRAILER SUSPENSIONS

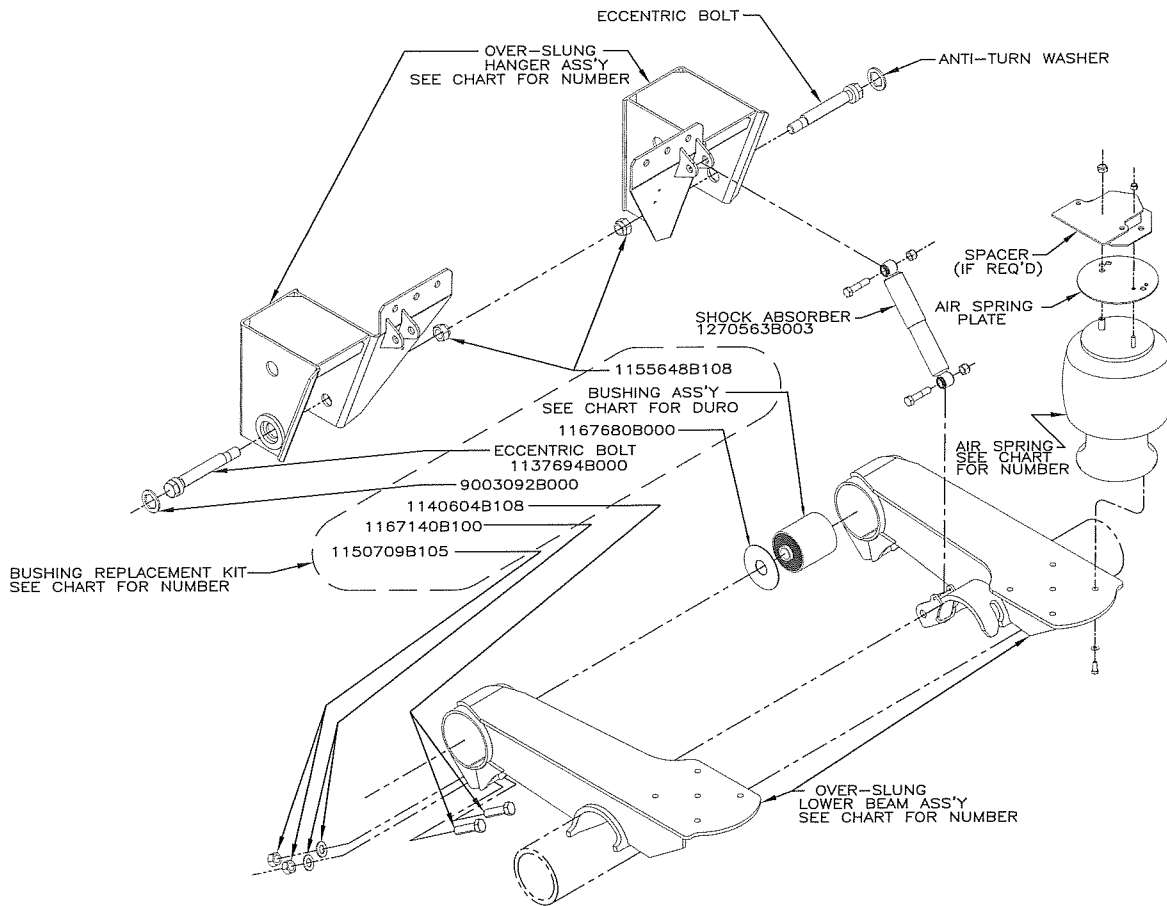


SUSPENSION PART NUMBER	HANGER ASSY. LH/RH	BUSHING/BEAM ASSY. LH/RH	BUSHING REPLACEMENT KIT	AIRSPRING
2400014	3267738C100/200	5970019/20	6040029 (60 DURO)	1003588802X
2400048	3260044/45	5970027/28	6040029 (60 DURO)	1000001
2400054	3267738C100/200	5970050/51	6040029 (60 DURO)	1000003
2400057	3260050/51	5970019/20	6040029 (60 DURO)	1003588802X
2400058 *	3260054/55	5970073/74	6040029 (60 DURO)	1000001
2400061	3267744C112/212	5970095/96	6040029 (60 DURO)	1003589320C
2400064	3267738C100/200	5970109/10	6040029 (60 DURO)	1003588802X
2400071	3267744C105/205	5970003/04	6040029 (60 DURO)	1003589334C
2400072	3267744C106/206	5970003/04	6040029 (60 DURO)	1003588802X
2400306	3267744C106/206	5970027/28	6040029 (60 DURO)	1000003
2400308	3267744C108/208	5970027/28	6040029 (60 DURO)	1000001
2400336	3260110/11	5970027/28	6040029 (60 DURO)	1000003
2400614	3260056/57	5970075/76	6040029 (60 DURO)	1003589101C
2400708	3267744C108/208	5970080/79	6040029 (60 DURO)	1000001
2400712	3267744C112/212	5970091/92	6040029 (60 DURO)	1003589101C
2404105	3267744C105/205	5977744B100/200	6040029 (60 DURO)	1003589334C
2404106	3267744C106/206	5977744B100/200	6040029 (60 DURO)	1003588802X
2404107	3267744C107/207	5977744B100/200	6040029 (60 DURO)	1003589010C
2404108	3267744C108/208	5977744B100/200	6040029 (60 DURO)	1003589082C
2404110	3267744C110/210	5977744B100/200	6040029 (60 DURO)	1003589082C
2404112	3267744C112/212	5977744B100/200	6040029 (60 DURO)	1003589101C
2407744D507	3267744C107/207	5977744B100/200	6040029 (60 DURO)	1003589010C

* LKS OR STRAIGHT AXLE

RAR-240 Monopivot, Overslung 30,000 lb. cap. Mfg. After 10-1-95

TRAILER SUSPENSIONS

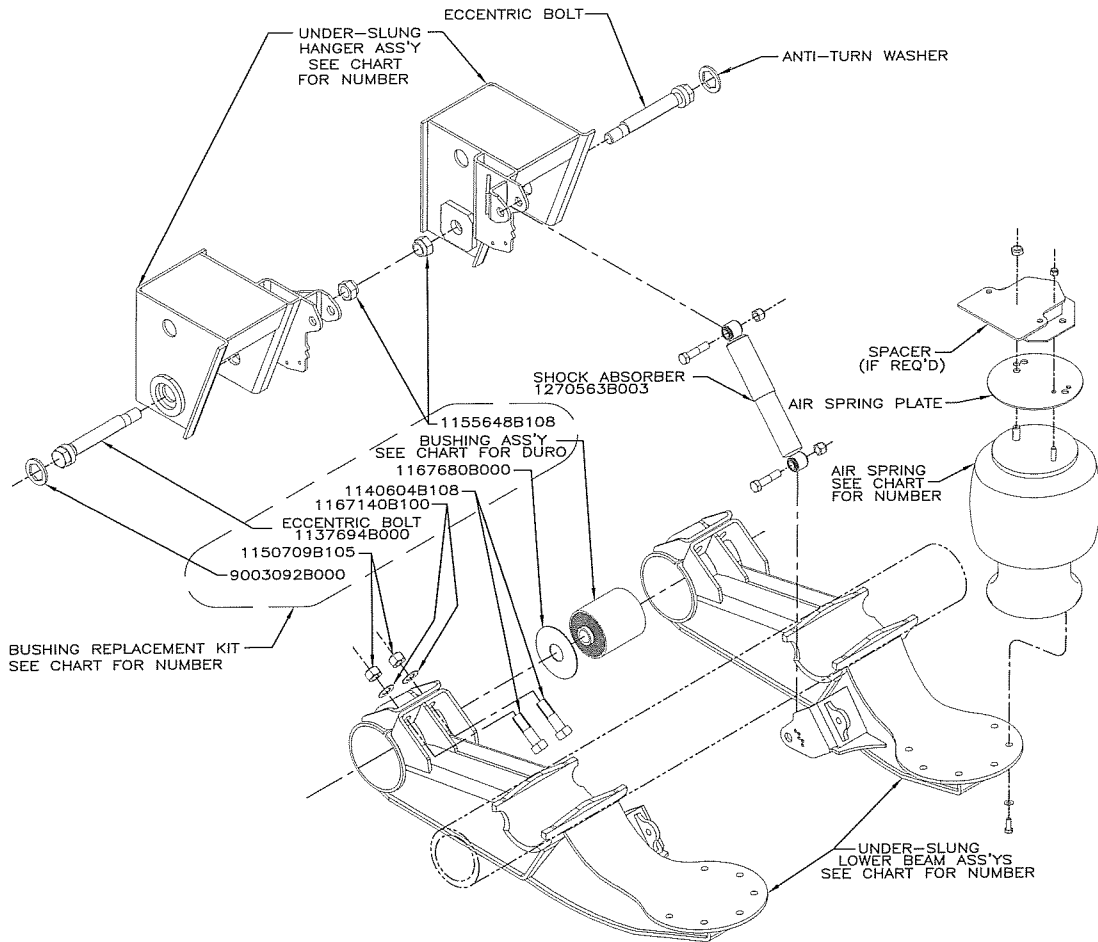


SUSPENSION PART NUMBER	AXLE DIAMETER	HANGER ASSY. LH/RH	BUSHING/BEAM ASSY. LH/RH	BUSHING REPLACEMENT KIT	AIR SPRING
2400001	5"	3260019/20	5970008/09	6040028 (70 DURO)	1000008050G
2400002	5"	3260021/22	5970008/09	6040028 (70 DURO)	1000008050G
2400003	5"	3260023/24	5970008/09	6040028 (70 DURO)	1000008050G
2400004	5.75"	3260019/20	5970010/11	6040028 (70 DURO)	1000008050G
2400005	5.75"	3260021/22	5970010/11	6040028 (70 DURO)	1000008050G
2400006	5.75"	3260023/24	5970010/11	6040028 (70 DURO)	1000008050G
2400020	5"	3267695C101/201	5970099/100	6040028 (70 DURO)	1003587839C
2400060	5"	3260058/59	5970077/78	6040028 (70 DURO)	1000007
2400077	5"	3260088/89	5970008/09	6040028 (70 DURO)	1000008050G
2400815	5"	3260019/20	5970077/78	6040028 (70 DURO)	1000008050G
2400817	5"	3260021/22	5970077/78	6040028 (70 DURO)	1000008050G

RAR-240 Monopivot, Underslung

30,000 lb. cap.
Mfg. after 10-1-95

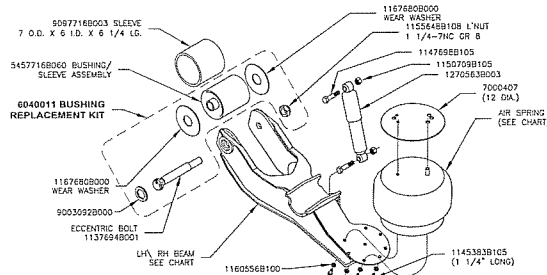
TRAILER SUSPENSIONS



SUSPENSION PART NUMBER	AXLE DIAMETER	HANGER ASSY. LH/RH	BUSHING/BEAM ASSY. LH/RH	BUSHING REPLACEMENT KIT	AIR SPRING
2400055	5"	3260048/49	5970056/57	6040028 (70 DURO)	1000006
2400062	5"	N/A	5970056/57	6040028 (70 DURO)	1000006
2400070	5"	3267744C108/208	5970001/02	6040028 (70 DURO)	1003588778C
2400508	5"	3267744C108/208	5970052/53	6040028 (70 DURO)	1000006
2400512	5"	3267744C110/210	5970052/53	6040028 (70 DURO)	1001R13146G
2400808	5"	3267744C108/208	5970082/81	6040028 (70 DURO)	1000006
2400814	5"	3260056/57	5970097/98	6040028 (70 DURO)	1001R14176G
2400901	5"	3260040/41	5970176/77	6040028 (70 DURO)	1001R14176G
2403106	5.75"	3267744C106/206	5970046/47	6040028 (70 DURO)	1001R13097G
2403107	5.75"	3267744C107/207	5970046/47	6040028 (70 DURO)	1003588778C
2403108	5.75"	3267744C108/208	5970046/47	6040028 (70 DURO)	1003588778C
2403176	5"	3267744C106/206	5970048/49	6040028 (70 DURO)	1001R13097G
2403177	5"	3267744C107/207	5970048/49	6040028 (70 DURO)	1003588778C
2403178	5"	3267744C108/208	5970048/49	6040028 (70 DURO)	1003588778C

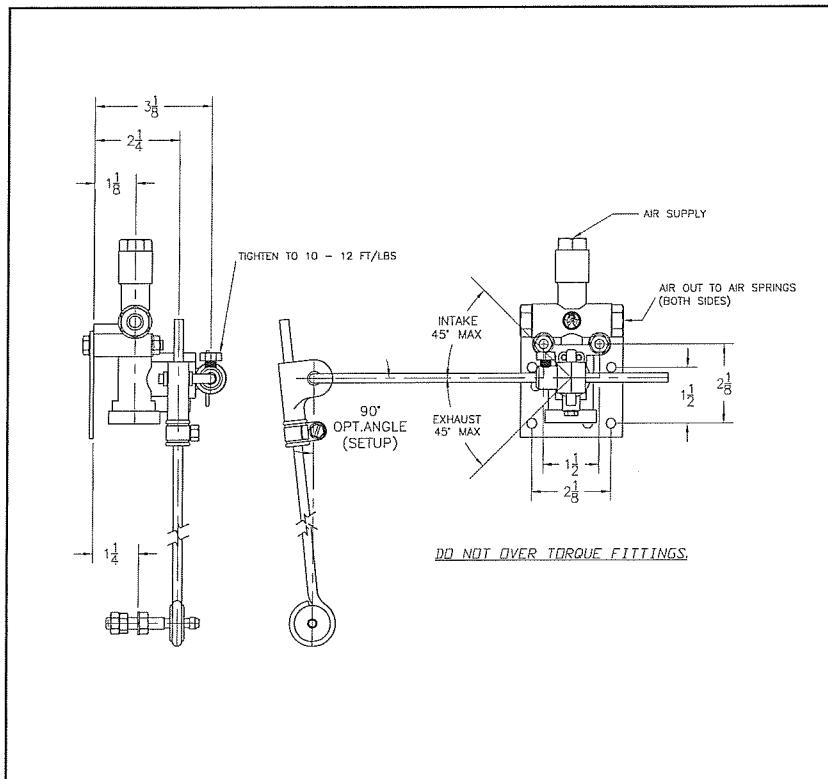
RAR-240 Monopivot Yoke Mount 25,000 and 30,000 lb. cap.

1. REMOVE TIRES AND WHEELS FROM AXLE.
2. DEFLATE AIR SPRINGS AND DISCONNECT AIR CONTROL VALVE LINKAGE BETWEEN VALVE AND AXLE.
3. REMOVE ECCENTRIC BOLT LOCK NUTS. REMOVE ANTI-TURN WASHER FROM ECCENTRIC BOLT HEADS BY GRINDING AWAY NUTS.
4. TURN ECCENTRIC BOLT ARROW, (ON BOLT HEAD) TO 12 O'CLOCK OR STRAIGHT UP POSITION AND REMOVE.
5. ROTATE BEAMS DOWN AND AWAY FROM WEB SLEEVE/ BUSHING ASSEMBLY.
6. REMOVE BUSHING ASSEMBLY FROM WEB SLEEVE BY GRINDING AWAY THE FOUR WELDS ON EACH END OF WEB SLEEVE.
7. INSTALL AND CENTER NEW BUSHING INTO WEB SLEEVE BY FRAME. WELD ONE EACH LEG AT FOUR PLACES, BOTH SIDES, EQUALLY SPACED. ALLOW WELDS TO COOL BEFORE WELDS TO PREVENT DAMAGING THE BOND BETWEEN THE RUBBER BUSHING AND STEEL SLEEVE. ALSO STAGGER WELDS TO PREVENT HEAT BUILD-UP AND DISTORTION BY WELDING TOP OF SLEEVE AT OUTSIDE OF FRAME THEN INSIDE OF FRAME AT BOTTOM OF SLEEVE, MOVING AROUND THE SLEEVE IN 90° INCREMENTS.
8. RE-INSTALL LOWER BEAMS USING NEW HARDWARE PROVIDED IN THE SERVICE KIT.
9. RE-ALIGN AXLES. AFTER AXLE IS ALIGNED, INSTALL ANTI-TURN WASHER ON ECCENTRIC BOLT AND TORQUE LOCK NUT TO 1,000 FT. LB. (1350 N-m) MINIMUM.



SUSPENSION PART NUMBER	CAPACITY	AXLE DIAMETER	BUSHING/ SLEEVE REPLACEMENT KIT	BEAM ONLY ASSY. (NO BUSHING) LHM/ RH REPLACEMENT	AIR SPRING REPLACEMENT
2400021	25,000 LB.	#5	6040011	4287716D101/ 201	1000001
2400028	25,000 LB.	#5	6040011	4287716D101/ 201	1000003
2400407	25,000 LB.	#5	6040011	4287716D101/ 201	1000003
2400409	25,000 LB.	#5	6040011	4287716D101/ 201	1000001
2406308	25,000 LB.	#5	6040011	4287716D101/ 201	1003589082B
2403305	30,000 LB.	#5.75	6040011	4287754D100/ 200	1001R13097B
2403307	30,000 LB.	#5.75	6040011	4287754D100/ 200	1003589778C
2403308	30,000 LB.	#5.75	6040011	4287754D100/ 200	1003589778C
2403376	30,000 LB.	#5	6040011	4287716D101/ 201	1001R13097B
2403377	30,000 LB.	#5	6040011	4287716D101/ 201	1003589778C
2403378	30,000 LB.	#5	6040011	4287716D101/ 201	1003589778C

Height Control Valve Assembly and Replacement

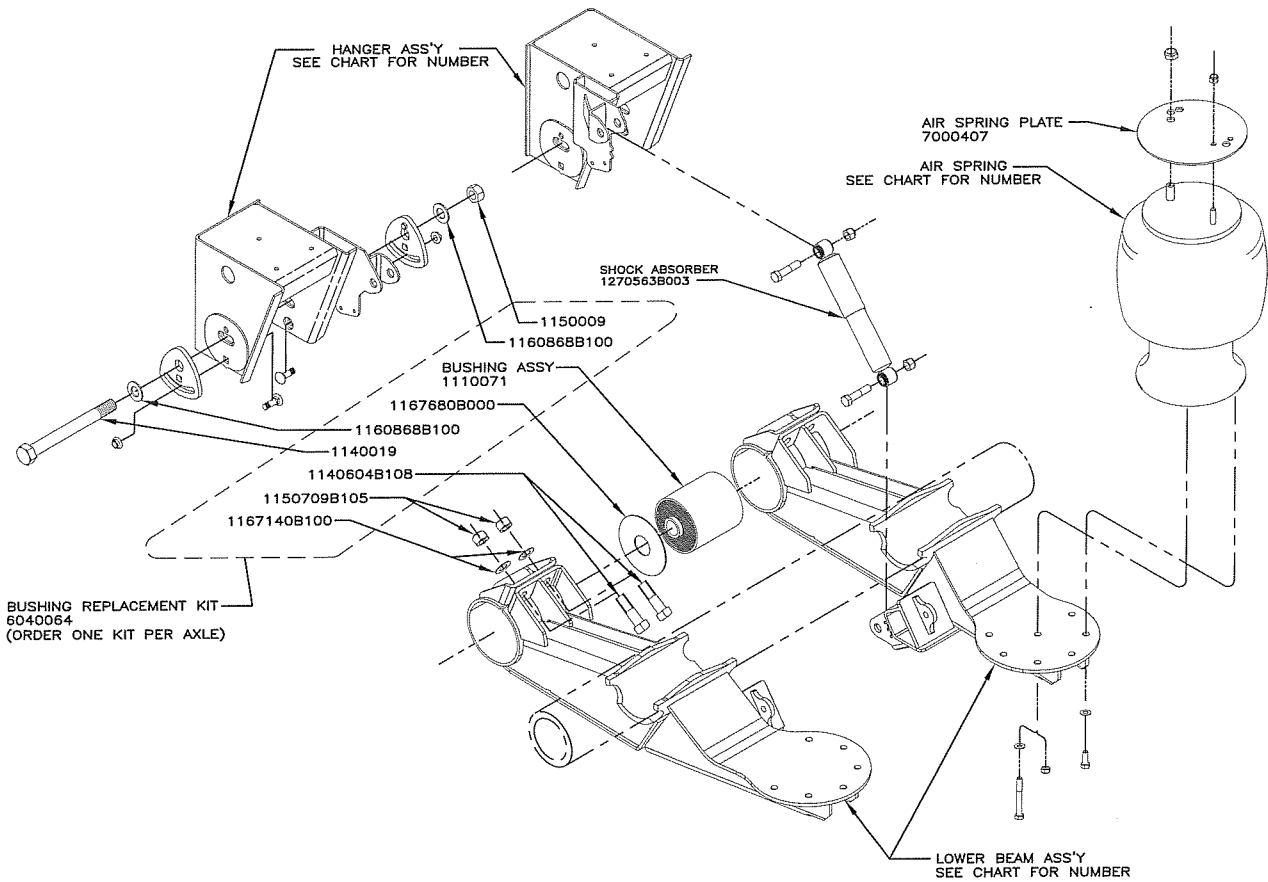


The following steps should be performed BEFORE valve is replaced. This will indicate if problem lies elsewhere.

1. Build and maintain supply air pressure in excess of 65 PSI.
2. Disconnect lower anchor.
3. Move actuating lever arm up - air should flow into related air springs.
4. Move actuating lever arm to neutral position - air flow should stop.
5. Move actuating lever arm down to exhaust air.
6. Move actuating lever arm to neutral position - air flow should stop.
7. Valve is functional if performance is as noted.

RAR-243 Monopivot

TRAILER SUSPENSIONS

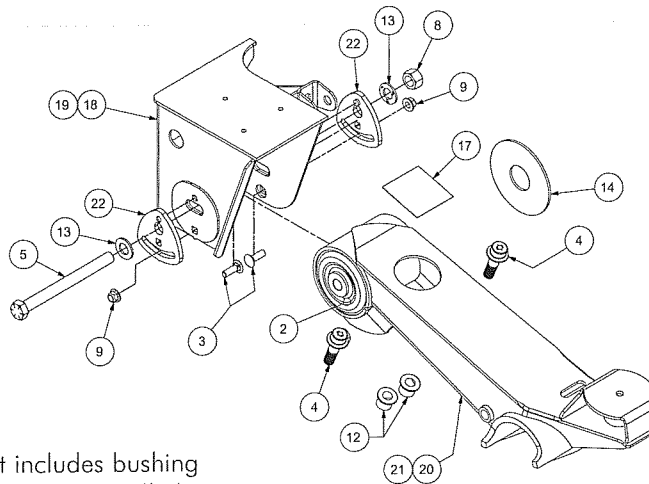


SUSPENSION PART NUMBER	HANGER ASSY LH / RH	BEAM / BUSHING ASSY LH / RH	AIR SPRING
2430306	3260140 / 41	5970316 / 17	1000003
2430308	3260142 / 43	5970316 / 17	1000001
2434115	3260148 / 49	5970320 / 21	1000003

PARTS REQUIRED FOR 6000157 (CARTON OF PARTS)					
PARTS REQUIRED FOR 3010475 (RH HGR/LBA)					
PARTS REQUIRED FOR 3010474 (LH HGR/LBA)					
ITEM	PART NO.	DESCRIPTION	QTY	QTY	QTY
1	1000156	AIR SPRING 1R14-171			2
2	1110060	BUSHING 60 DURO .906 ID	1	1	
3	1130012	BOLT CARRIAGE 13NC 1.50LG. GR-5	2	2	
4	1137738B301	HUCK BOLT 3/4X.75	2	2	
5	1140019	PIVOT BOLT HHCS 7/8" 9NC 9-1/2"LG. GR8	1	1	
*	1140022	HHCS 3/4" 10NC 11"LG GR8 ZINC PLATE			2
*	1147364B105	HHCS 3/4" 10NC 3"LG GR-5			2
8	1150009	L'NUT 7/8-9NC T-L GR 8 (C)	1	1	
9	1150012	L'NUT 1/2" 13NC FLANGED T-L GR 8 (G)	2	2	2
*10	1150558B102	NUT 3/4" 16NF GRD 2			4
*11	1150023	L'NUT 3/4"-10NC CENTER LOCK GR-B			4
12	1157738B302	COLLAR HUCK BOLT 3/4" TAB LOCK	2	2	
13	1160868B100	WASHER 7/8" A-325 FLAT	2	2	
14	1167680B000	WASHER-UHMW 6.25X2.125X.188 BLUE	1	1	
*15	1230059	PIPE PLUG, 1/4" MNPT, HEX SOCKET, STEEL			2
16	1270563B003	SHOCK ASSY. 6" MONROE			2
17	1370014	COVER, 3.88 SQ, ADHESIVE BACK	1	1	
18	3260094	HANGER ASS'Y - WELD-ON 7.94" PIVOT-LH	1		
19	3260095	HANGER ASS'Y - WELD-ON 7.94" PIVOT-RH		1	
20	4280090	LOAD BEAM ASS'Y- LH (25K RIDELITE)	1		
21	4280091	LOAD BEAM ASS'Y- RH (25K RIDELITE)		1	
22	5340018	ADJUSTER PLATE ASSEMBLY	2	2	
23	7000894	AIR SPRING MOUNTING PLATE			2

* ITEMS ARE INCLUDED IN PARTS BAG 1800019

Air spring, air spring nuts, shock, and shock mounting bolts not shown.



Bushing Replacement Kit:
 P/N 6040039 (60 Duro Bushing) - Kit includes bushing & bolts, nuts & washers to replace the factory-installed Huckbolt® fasteners. Also includes items 5, 8, 13, 14, and 17. One kit required per axle.

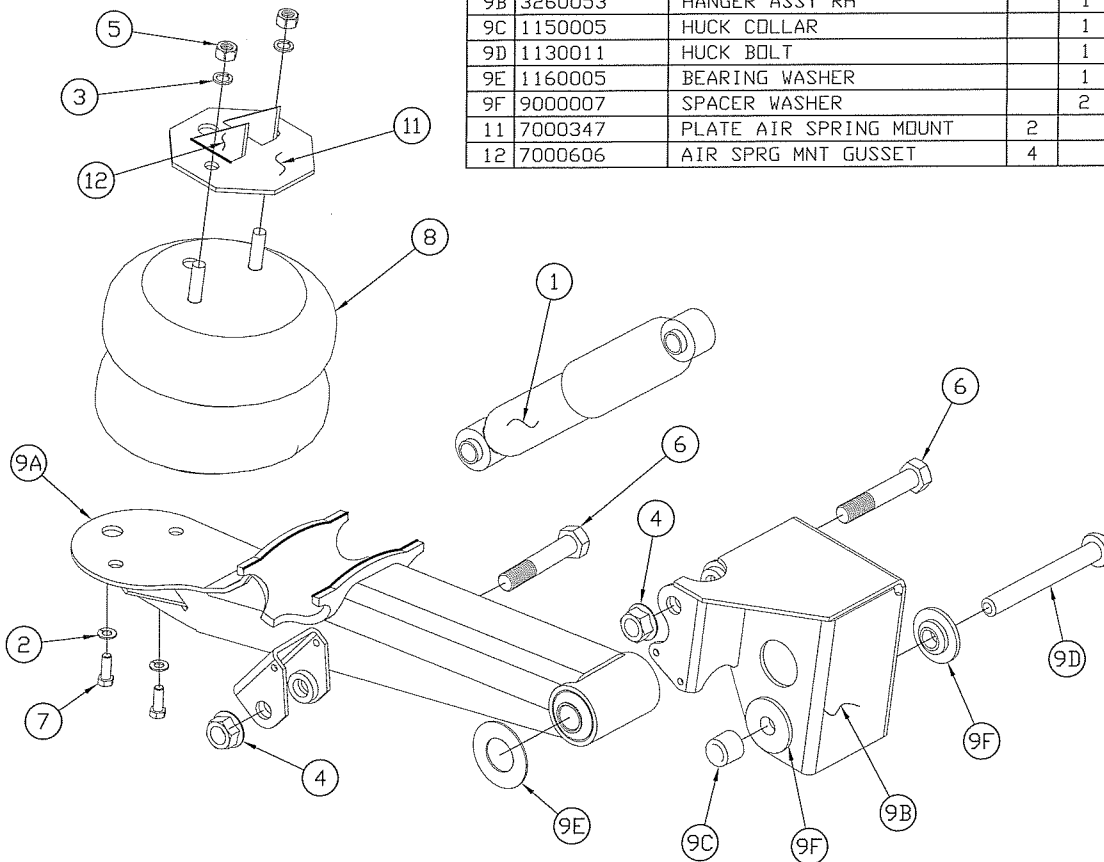
NOTE: Not all Ridelite models & part numbers are represented. Please contact Ridewell for additional part number and service information.

Hanger & Beam Parts

PARTS REQUIRED FOR RH HGR/LBA				
PARTS REQUIRED FOR LH HGR/LBA				
ITEM	PART NO.	DESCRIPTION	QTY	QTY
18	3260092	Hanger Assembly - Bolt On 8.00" Pivot - LH (Mtg Ht 14/15")	1	
19	3260093	Hanger Assembly - Bolt On 8.00" Pivot - RH (Mtg Ht 14/15")		1
18	3260094	Hanger Assembly - Weld On 8.00" Pivot - LH (Mtg Ht 14/15")	1	
19	3260095	Hanger Assembly - Weld On 8.00" Pivot - RH (Mtg Ht 14/15")		1
18	3260096	Hanger Assembly - Bolt On 10.00" Pivot - LH (Mtg Ht 16/17")	1	
19	3260097	Hanger Assembly - Bolt On 10.00" Pivot - RH (Mtg Ht 16/17")		1
18	3260098	Hanger Assembly - Weld On 10.00" Pivot - LH (Mtg Ht 16/17")	1	
19	3260099	Hanger Assembly - Weld On 10.00" Pivot - RH (Mtg Ht 16/17")		1
20	4280090	Load Beam Assembly - 8.00" - LH (25K Ridelite) Mtg Ht 14/15"	1	
21	4280091	Load Beam Assembly - 8.00" - RH (25K Ridelite) Mtg Ht 14/15"		1
20	4280096	Hanger Assembly - 10.00" - LH (25K Ridelite) Mtg Ht 16/17"	1	
21	4280097	Hanger Assembly - 10.00" - RH (25K Ridelite) Mtg Ht 16/17"		1

Featheride™ Light Duty

PARTS BAG (LOCATED IN CARTON) No. 1800022			
PARTS FOR SHIPPING (HGR/BEAM ASSY) 3010339 (LH)			
PARTS FOR SHIPPING (HGR/BEAM ASSY) 3010340 (RH)			
PARTS FOR SHIPPING (CARTON OF PARTS) 6000165			
ITEM No.	PART No.	PART DESCRIPTION	No. REQD.
1	1270007	SHOCK MONROE #66627	2
2	1160675B100	L' WASHER 3/8" S/T MED.	4
3	1160556B100	L' WASHER 1/2" S/T MED.	4
4	1157711B105	L' NUT 3/4" 10NC TOP LOCK	4
5	1150650B102	NUT 1/2" 13NC STANDARD	4
6	1142945B105	HHCS 3/4" 10NC 4" LG	4
7	1140674B105	HHCS 3/8" 16NC 1" LG	4
8	1003586905C	A/SPG 2B9-206 /20C	2
9A	4280057	LOAD BEAM LH	1
9A	4280058	LOAD BEAM RH	1
9B	3260052	HANGER ASSY LH	1
9B	3260053	HANGER ASSY RH	1
9C	1150005	HUCK COLLAR	1
9D	1130011	HUCK BOLT	1
9E	1160005	BEARING WASHER	1
9F	9000007	SPACER WASHER	2
11	7000347	PLATE AIR SPRING MOUNT	2
12	7000606	AIR SPRG MNT GUSSET	4

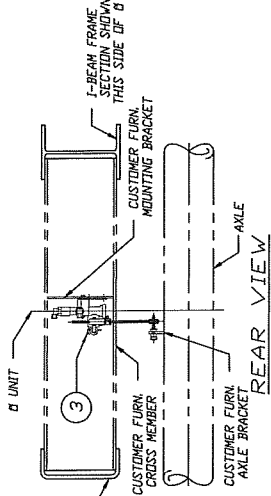
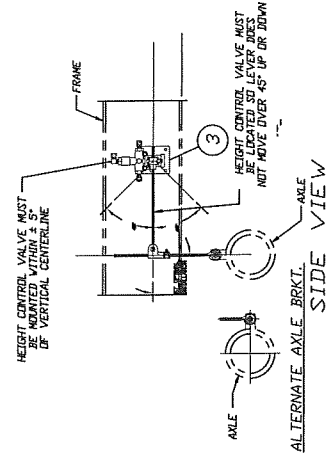
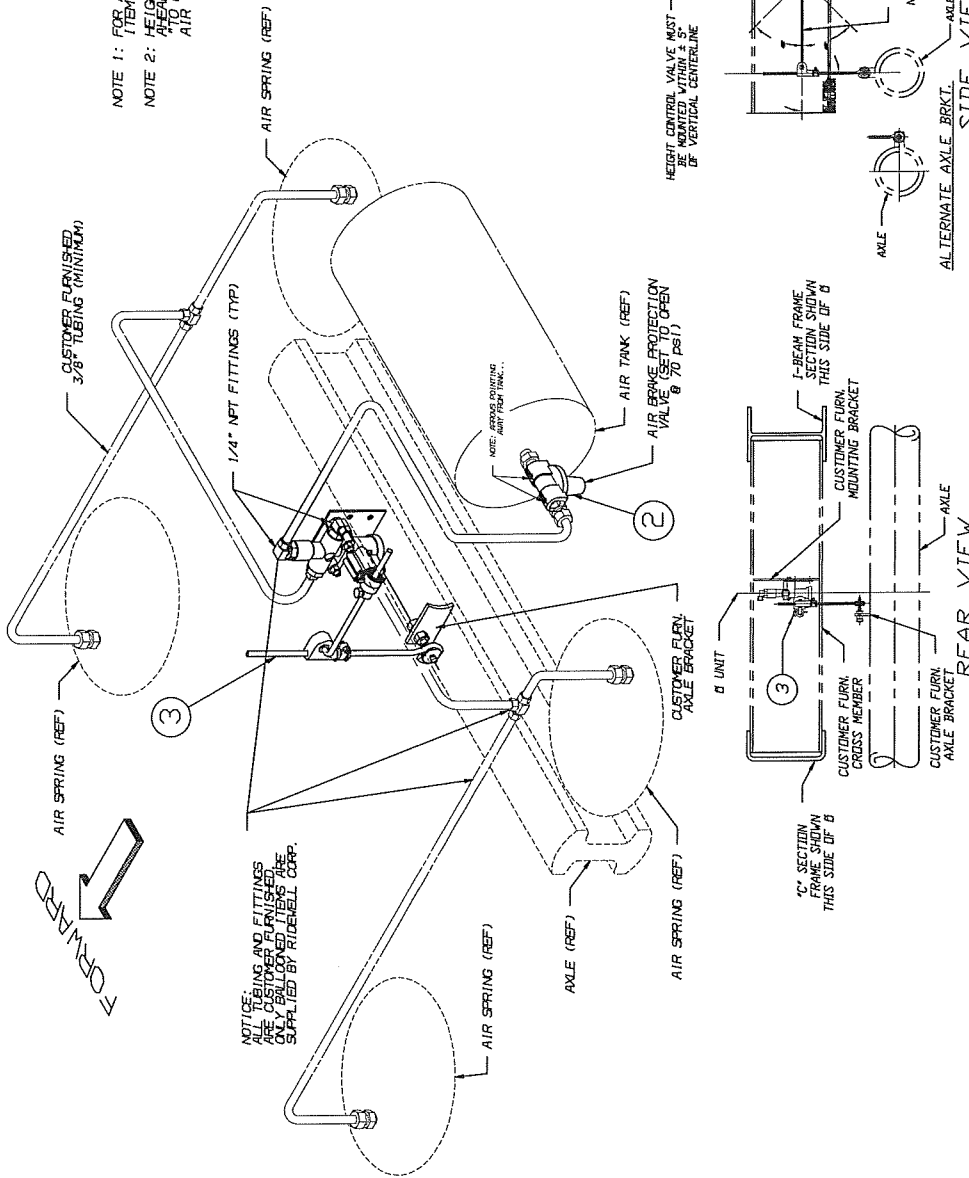


Pivot Hardware Replacement Kit:
 P/N 6040063 - Kit includes bolts, nuts and washers to replace factory-installed Huckbolt® fasteners. One kit required per axle.

Standard Height Control Valve Installation

UIC#	PART NO.	DESCRIPTION	NO. REQ'D
1	OMITTED	OMITTED (PER REV. B)	
2	1244761B000	PRS R PRCT'N VLV W/SCREEN	1
3	6240605	C RM HVY W/LINK & MTG. SET	1

NOTE 1: FOR ADDITIONAL PARTS BREAK-DOWN ON ITEM NO. "3", SEE PART NO. 1247423B005...
 NOTE 2: HEIGHT CONTROL VALVE MUST BE MOUNTED AND BEARING "C" MATERIALS TO BE SUPPLIED BY CUSTOMER. AIR TANK MAY BE LOCATED TO SUIT...



FORM NO.	BM	7/13/89	RIDEWELL CORPORATION
REVISED			PO BOX 4586 SPRINGFIELD, MISSOURI 65808
PROJECT NO.			TITLE AIR CONTROL KIT - W/ SINGLE RIDWELL AUTOMATIC HEIGHT CONTROL VALVE - FOR AIR BRAKE SUSPENSIONS W/ AIR BRAKE AXLES
WORKING			B-SIZE: NTS D-SIZE:
			SEE DETAILS
			PROJ. 1/1/16
			DATE 1/1/16
			SHEET 1 OF 1
			PART NO. 1207423C100

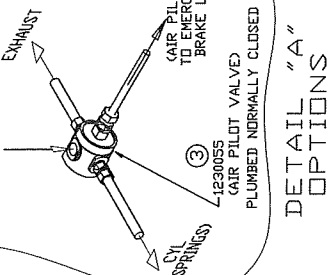
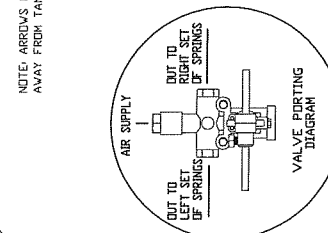
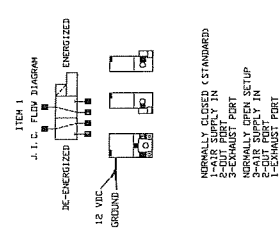
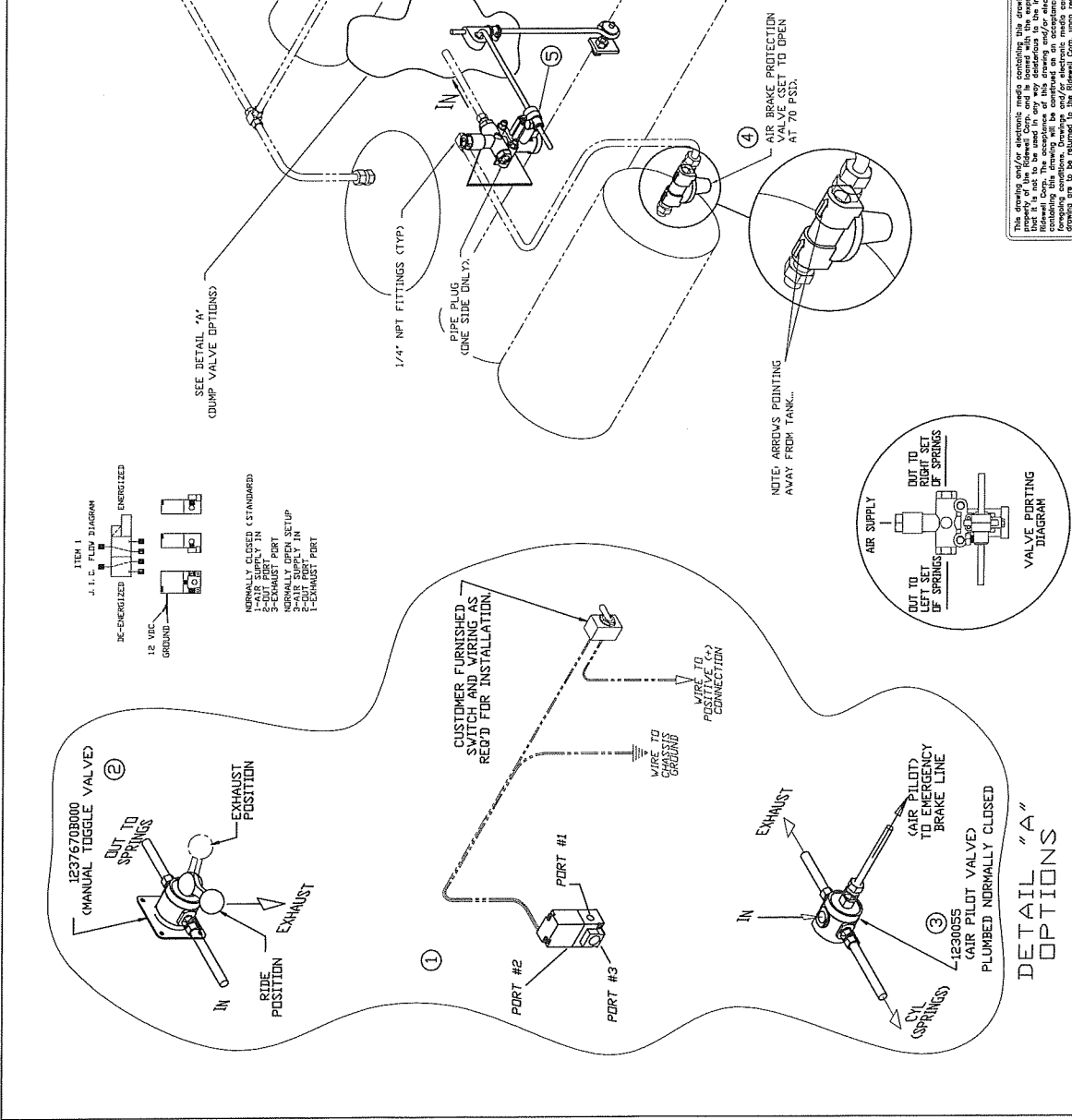
This drawing and/or electronic media containing this drawing is the sole property of RideWell Corporation. It is not to be used in any way, distributed to the interest of the customer, or otherwise made available to any third party. If the customer is to be used in any way, it must be obtained via an order form of the media containing this drawing and/or electronic media containing this drawing, and it is returned to the RideWell Corp. upon request.

REV	PROJECT	REVISION DESCRIPTION	DATE	BY	CHK	APPD
0	00169	CHGD PPV TO SHOW 70 PSI	4/19/01	D3/NF	DK	
3	00123	ROTATED ESHT BOLT 90 CCW ON ITEM 3	5/24/00	D3/BM		
2	1122	GEN'L REV. TO DISC. OMTED ITEM "A" - REV. "B" WAS 2/24/98. DISC. OMTED ITEM "C" - REV. "C" WAS 8/4/93	11/03/98	JMK	BM	
1		UPGRADED REVISION LEVEL OF ITEM "C" TO REV. "B"	10/25/91	BM	BM	

HEIGHT CONTROL VALVE

Standard Height Control Valve Installation

ITEM No.	PART No.	DESCRIPTION	No. RECD	No. No. RECD
1	1237652B000	ELECTRIC SOLENOID VALVE	1	1
2	1237670B000	3-WAY MANUAL TOGGLE VALVE	1	1
3	1230055	VALVE, AIR PILOT	1	1
4	1244761B000	PRSR PRCT'N VLV W/SCREEN	1	1
5	1247680B600	DIVERSLUING MONO-PIVOT SUSPENSION HCV	1	1

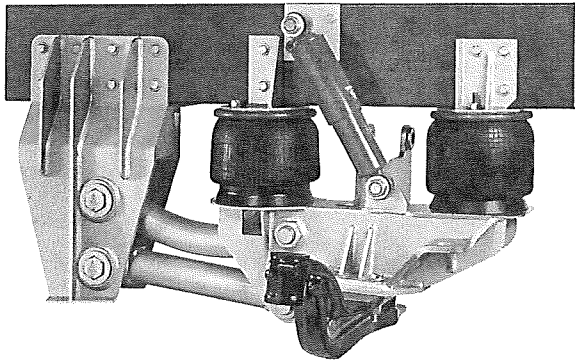


This drawing and its contents are the property of the Ridewell Corporation and are to be used only for the purposes intended. No part of this drawing may be reproduced without the written consent of the Ridewell Corporation. The company assumes no responsibility for errors or omissions in this drawing. The company will be held responsible for any damage or injury resulting from the use of this drawing unless otherwise stated. This drawing is to be returned to the Ridewell Corporation upon request.

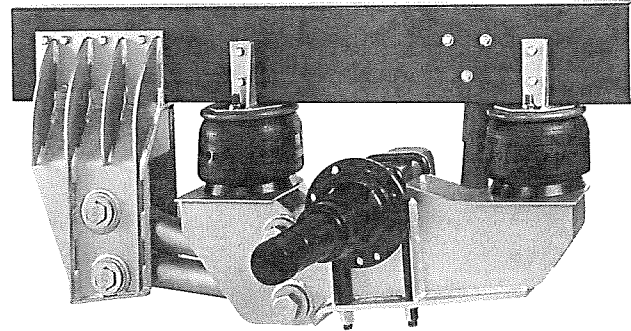
REV	DATE	BY	CHK	APPD
1	06/01/94	JK	JK	
2	06/01/94	JK	JK	
3	06/01/94	JK	JK	
4	06/01/94	JK	JK	
5	06/01/94	JK	JK	
6	06/01/94	JK	JK	
7	06/01/94	JK	JK	
8	06/01/94	JK	JK	
9	06/01/94	JK	JK	
10	06/01/94	JK	JK	
11	06/01/94	JK	JK	
12	06/01/94	JK	JK	
13	06/01/94	JK	JK	
14	06/01/94	JK	JK	
15	06/01/94	JK	JK	
16	06/01/94	JK	JK	
17	06/01/94	JK	JK	
18	06/01/94	JK	JK	
19	06/01/94	JK	JK	
20	06/01/94	JK	JK	
21	06/01/94	JK	JK	
22	06/01/94	JK	JK	
23	06/01/94	JK	JK	
24	06/01/94	JK	JK	
25	06/01/94	JK	JK	
26	06/01/94	JK	JK	
27	06/01/94	JK	JK	
28	06/01/94	JK	JK	
29	06/01/94	JK	JK	
30	06/01/94	JK	JK	
31	06/01/94	JK	JK	
32	06/01/94	JK	JK	
33	06/01/94	JK	JK	
34	06/01/94	JK	JK	
35	06/01/94	JK	JK	
36	06/01/94	JK	JK	
37	06/01/94	JK	JK	
38	06/01/94	JK	JK	
39	06/01/94	JK	JK	
40	06/01/94	JK	JK	
41	06/01/94	JK	JK	
42	06/01/94	JK	JK	
43	06/01/94	JK	JK	
44	06/01/94	JK	JK	
45	06/01/94	JK	JK	
46	06/01/94	JK	JK	
47	06/01/94	JK	JK	
48	06/01/94	JK	JK	
49	06/01/94	JK	JK	
50	06/01/94	JK	JK	
51	06/01/94	JK	JK	
52	06/01/94	JK	JK	
53	06/01/94	JK	JK	
54	06/01/94	JK	JK	
55	06/01/94	JK	JK	
56	06/01/94	JK	JK	
57	06/01/94	JK	JK	
58	06/01/94	JK	JK	
59	06/01/94	JK	JK	
60	06/01/94	JK	JK	
61	06/01/94	JK	JK	
62	06/01/94	JK	JK	
63	06/01/94	JK	JK	
64	06/01/94	JK	JK	
65	06/01/94	JK	JK	
66	06/01/94	JK	JK	
67	06/01/94	JK	JK	
68	06/01/94	JK	JK	
69	06/01/94	JK	JK	
70	06/01/94	JK	JK	
71	06/01/94	JK	JK	
72	06/01/94	JK	JK	
73	06/01/94	JK	JK	
74	06/01/94	JK	JK	
75	06/01/94	JK	JK	
76	06/01/94	JK	JK	
77	06/01/94	JK	JK	
78	06/01/94	JK	JK	
79	06/01/94	JK	JK	
80	06/01/94	JK	JK	
81	06/01/94	JK	JK	
82	06/01/94	JK	JK	
83	06/01/94	JK	JK	
84	06/01/94	JK	JK	
85	06/01/94	JK	JK	
86	06/01/94	JK	JK	
87	06/01/94	JK	JK	
88	06/01/94	JK	JK	
89	06/01/94	JK	JK	
90	06/01/94	JK	JK	
91	06/01/94	JK	JK	
92	06/01/94	JK	JK	
93	06/01/94	JK	JK	
94	06/01/94	JK	JK	
95	06/01/94	JK	JK	
96	06/01/94	JK	JK	
97	06/01/94	JK	JK	
98	06/01/94	JK	JK	
99	06/01/94	JK	JK	
100	06/01/94	JK	JK	

ITEM 3 WAS 1237670B001 5/15/03 D3/DH MDJ DK
 CHGD PPV TO SHOW 70 PSI 4/19/01 D3/KF MDJ DK
 SHFT BOLT ROTD 90 DEGS CCM ITEM 5/ACAD REDRAWN 6/16/00 DEC
 REMOVED ALL 7678 FAMILY KITS 06/01/94 JK
 REVISION DESCRIPTION DATE BY CHK APPD
 10/20/93
 SCALE: SIZE: NTS
 D-SIZE: INCH:
 SEE BOM
 TITLE: AIR CONTROL DUMP KIT
 HCV AND DUMP VALVE FOR RAR-240
 RIDEWELL CORPORATION
 PO BOX 4586 SPRINGFIELD, MISSOURI 65808
 SHEET 1 OF 1 PART NO: 1207680B3..
 REV: D

RAS-227 for Steer Axle and RAD-227 for Drive Axle

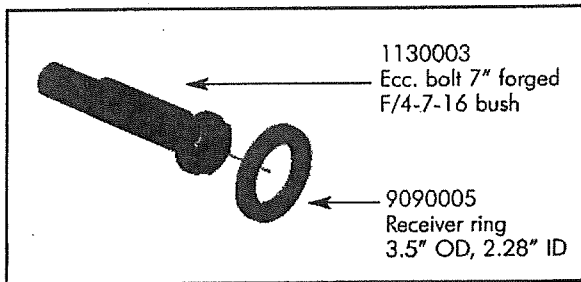


RAS-227 Parallelogram Steer Axle Suspension, 7,000 - 26,000 lb. cap.

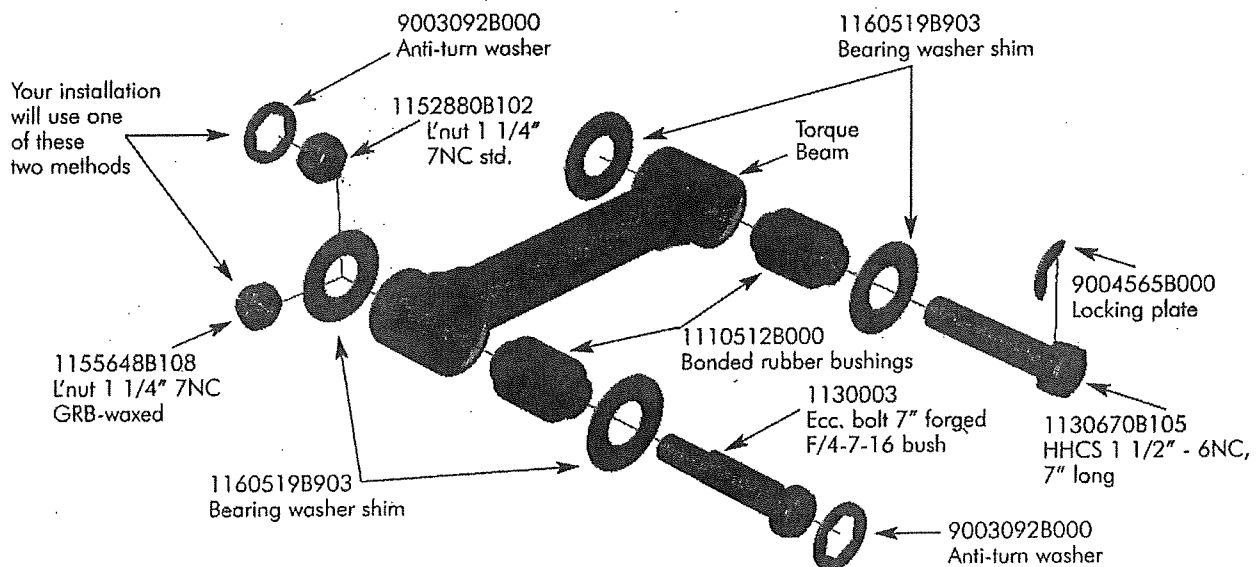


RAD-227 Parallelogram Drive Axle Suspension, 10,000 - 25,000 lb cap.

Common replacement parts are shown below. For air springs, hangers, torque beams, etc., refer to your specific installation drawing.

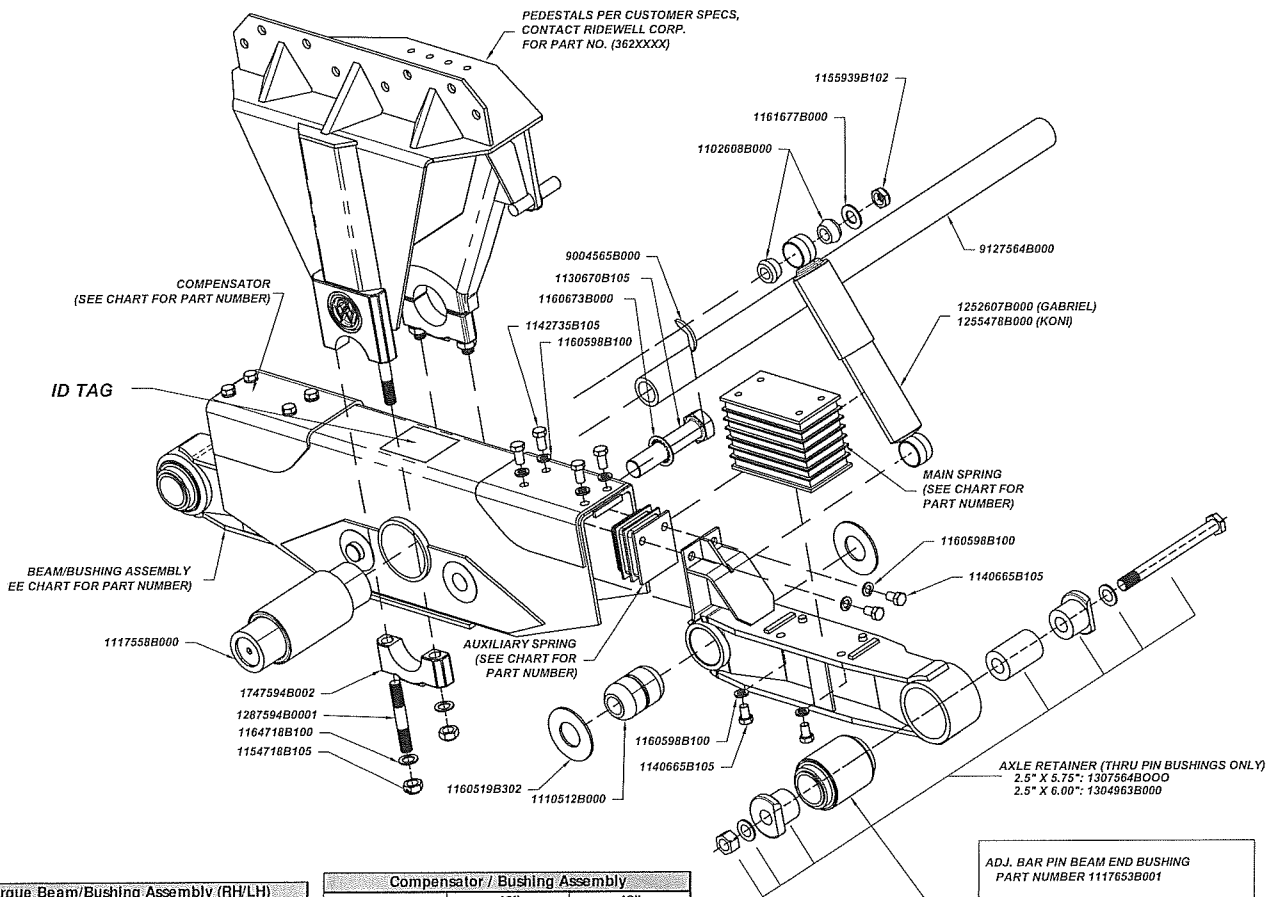
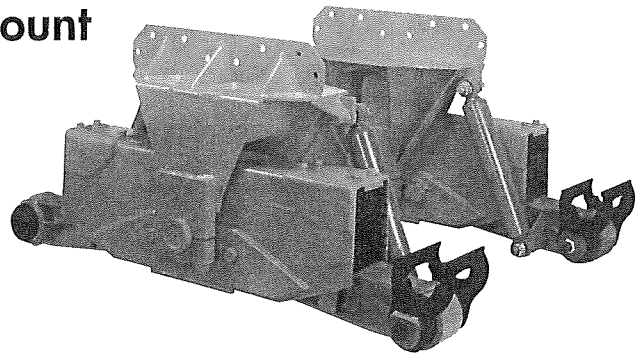


NOTE: This new style eccentric bolt replaces previous style with square head



RD-202S DYNALASTIC Straddle Mount

Models: RD-202S-54-44-XXXX
 RD-202S-54-48-XXXX
 RD-202S-54-52-XXXX
 RD-202S-54-54-XXXX



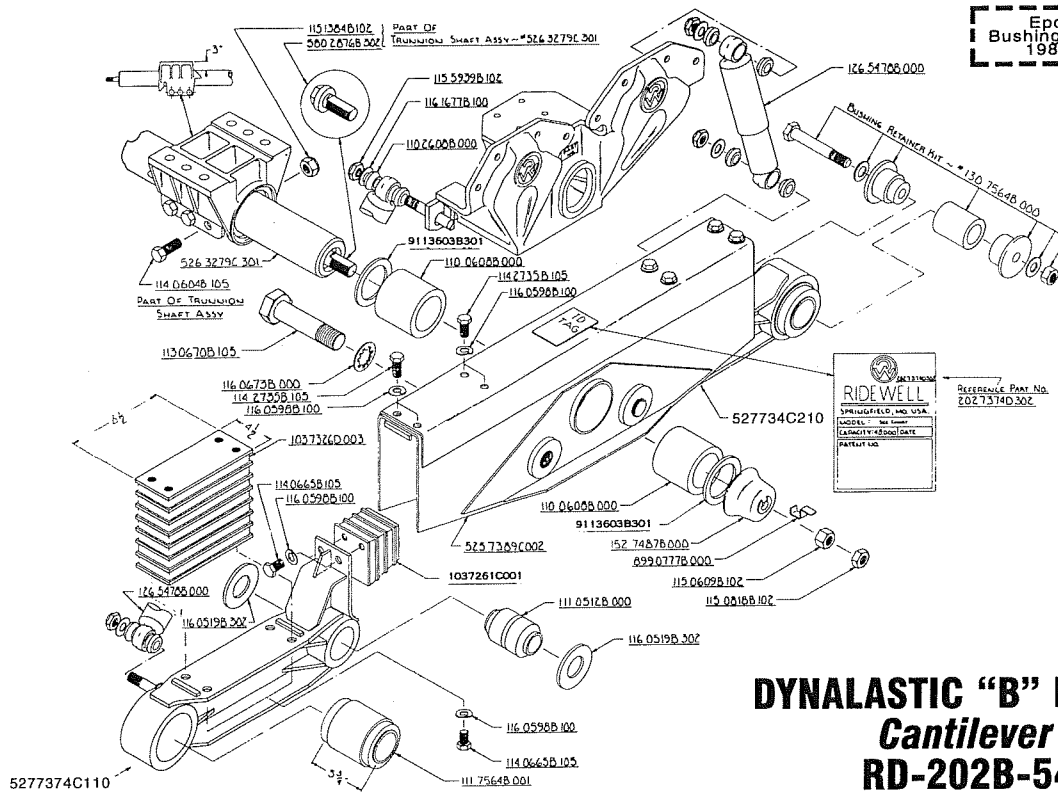
Torque Beam/Bushing Assembly (RH/LH)		
	40"	42"
	Compensator	compensator
5.75" Thru pin Bushing (1117564B001)		
W/ Shocks	5277626C110/210	---
No Shocks	5277634C000	---
6" Thru-Pin Bushing (1114964B000)		
W/ Shocks	---	5277490C101/201
No Shocks	---	5277433C100/200
Bar Pin Bushing (1117653B000/1)		
W/ Shocks	5277653C120/220	5277768C110/210
No Shocks	5270021	---

Compensator / Bushing Assembly		
	40"	42"
	Compensator	Compensator
Standard	5257634C000	5257678C000
W/ Restraints	5250007	5250005
Springs		
	Capacity: 44,000 lb	Capacity: 48,000 lbs 52,000 lbs 54,000 lbs
Main Spring	1037326D002	1037326D003
Auxiliary Spring	1037261C002	1037261C001

RUBBER-RIDE SUSPENSIONS

RD-202B DYNALASTIC, Cantilever Mount

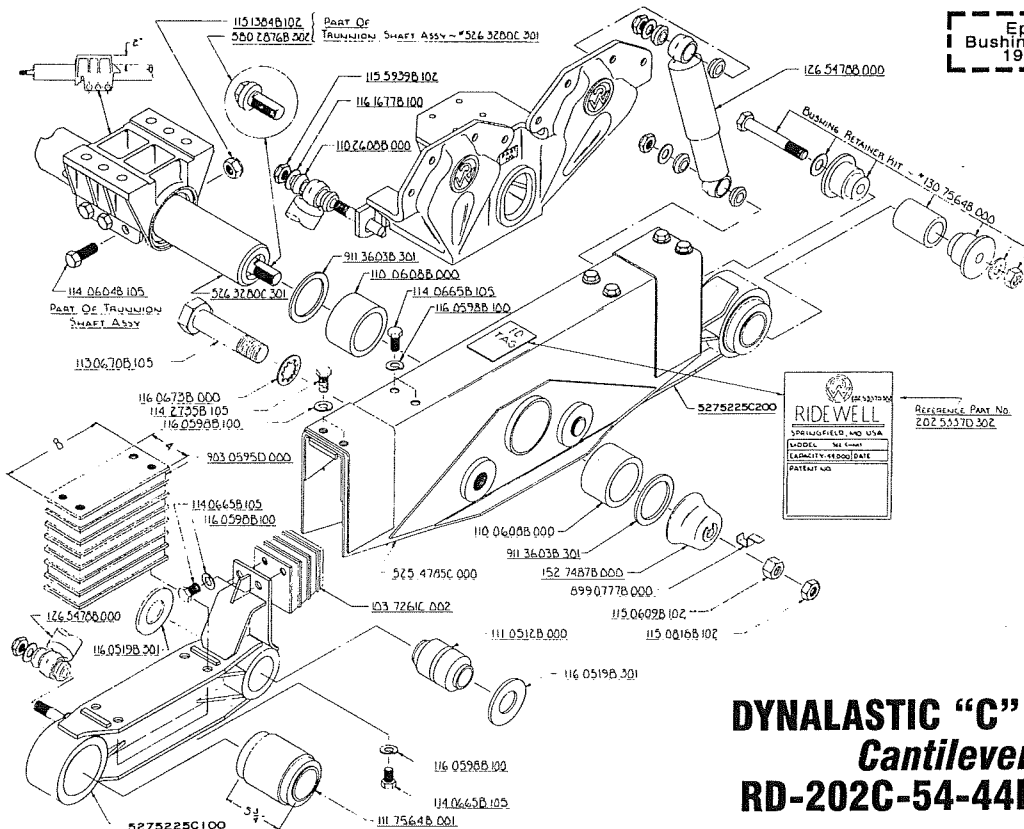
RD-202B-54-48-K



DYNALASTIC "B" MODEL
Cantilever Mount
RD-202B-54-48-K

RD-202C DYNALASTIC, Cantilever Mount

RD-202C-54-44L-OL-KS



DYNALASTIC "C" MODEL
Cantilever Mount
RD-202C-54-44L-OL-KS

RUBBER-RIDE SUSPENSIONS

WARRANTY

THE RIDEWELL CORPORATION WARRANTS THE PARTS MANUFACTURED BY IT TO BE FREE FROM DEFECTS IN MATERIAL AND WORKMANSHIP UNDER PROPER USE, INSTALLATION AND MAINTENANCE FOR A PERIOD OF 120 DAYS FROM SHIPMENT TO THE ORIGINAL PURCHASER.

THE RESPONSIBILITY OF THE RIDEWELL CORPORATION UNDER THIS WARRANTY IS LIMITED TO MAKING GOOD AT THE COMPANY FACTORY BY REPAIR OR REPLACEMENT OR ANY PART OR PARTS WHICH IT MANUFACTURES.

WRITTEN PERMISSION FOR ANY CLAIM RETURN MUST FIRST BE OBTAINED FROM AUTHORIZED RIDEWELL PERSONNEL. REFER TO RETURN MATERIAL AUTHORIZATION PROCEDURE LISTED BELOW.

ALL RETURNS MUST HAVE TRANSPORTATION CHARGES PAID BY THE CUSTOMER AND ACCOMPANIED WITH A COMPLETE WRITTEN EXPLANATION OF CLAIMED DEFECTS AND THE CIRCUMSTANCES OF OPERATIONAL FAILURE.

ON ALL COMPONENT PARTS NOT MANUFACTURED BY RIDEWELL CORPORATION, THEIR WARRANTY IS TO THE EXTENT THAT THE MANUFACTURERS OF SUCH PARTS WARRANT THEM TO RIDEWELL CORPORATION.

THIS IS THE ONLY RIDEWELL CORPORATION WARRANTY AND IS IN LIEU OF ALL OTHER EXPRESSED OR IMPLIED WARRANTIES OR REPRESENTATIONS INCLUDING ANY IMPLIED WARRANTIES OR MERCHANTABILITY OR FITNESS, OR OF ANY OTHER OBLIGATIONS ON THE PART OF RIDEWELL CORPORATION. IN NO EVENT WILL RIDEWELL CORPORATION BE LIABLE FOR BUSINESS INTERRUPTIONS, LOSS OF PROFITS, PERSONAL INJURY, COST OF DELAY OR FOR ANY OTHER SPECIAL, INDIRECT, INCIDENTAL OR CONSEQUENTIAL LOSSES, COSTS OR DAMAGES.

SUBJECT TO ALL OF THE ABOVE CONDITIONS, IF REPAIR OR REPLACEMENT OF ANY DEFECTIVE PART IS MADE BY RIDEWELL CORPORATION, RIDEWELL CORPORATION WILL RETURN THE REPAIRED OR REPLACED PART TO THE ORIGINAL PURCHASER WITH TRANSPORTATION CHARGES PREPAID.

Return Material Authorization Procedure

1. Contact Warranty Department at (417) 833-4565. Provide vehicle serial number, unit number and date of service.
2. Warranty participation will be reviewed. A **Return Material Authorization (RMA) Number** will be assigned. This number must be referenced on all documents, parts and containers on all claims where parts are returned to Ridewell.
3. **Warranty claims and/or returned parts will not be accepted without the RMA number.**
4. Claims for warranty and/or credit returns will be processed within 30 working days provided we have the required information. Credit returns will be subject to a minimum 20% re-stocking charge.